

# FLEXIBLOK®

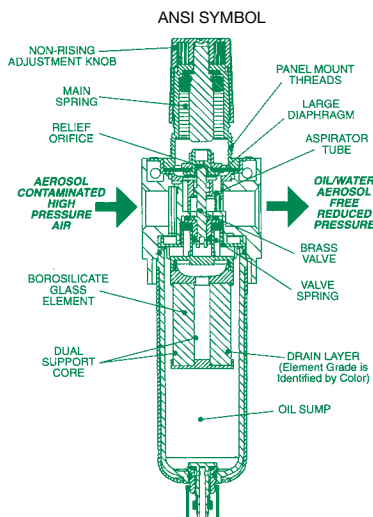
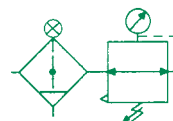
## Coalescing Filter/Regulators

### C14D, C22D, C32D, C42D Series

- Four convenient sizes
- Cartridge element design
- Inner/outer support cores prevent element from crushing in either flow direction
- Manual or automatic drain
- Polycarbonate bowl standard
- Optional metal bowl (sight glass available on 22, 32 and 42 Series)
- Standard output pressure 0-125 PSIG

#### Recommended Uses

**D grade element**, identified by its green drain layer, is a fine filter for cylinder or valves - especially when the circuit is being run without lubrication ('dry'). Excellent filter for desiccant or regenerative style dryers.



### Specifications

Bowl		14 Series	22 Series	32 Series	42 Series
Temperature Range °F (°C)		40-120 (4-50)	40-120 (4-50)	40-120 (4-50)	40-120 (4-50)
Max. Pressure PSIG (BAR)	Poly C	150 (10)	150 (10)	150 (10)	150 (10)
	Metal	200 (14)	200 (14)	200 (14)	200 (14)
Weight lbs. (kg)	Poly C	0.80 (0.35)	0.92 (0.42)	1.82 (0.83)	5.05 (2.29)
	Metal	0.85 (0.38)	1.60 (0.73)	2.95 (1.34)	6.15 (2.76)
Nominal Flow SCFM (L/M)*		20 (560)	35 (991)	50 (1416)	100 (2832)
Body Material		Zinc	Aluminum	Aluminum	Aluminum

\*Nominal flow using a 0.3 micron element, at 100 psig (6.9 bar) inlet pressure and 80 psig (5.5 bar) set pressure

### How to Order

#### Coalescing Filter/Regulators

C 22 D - 04 ADG

**Model** \_\_\_\_\_

C = Coalescing Filter/Regulators

**Series** \_\_\_\_\_

14 = 1.5 oz. Bowl  
22 = 3.8 oz. Bowl  
32 = 8.5 oz. Bowl  
42 = 8.5 oz. Bowl

**Element** \_\_\_\_\_

D = 0.3 Micron Fine Coalescer

**Threads** \_\_\_\_\_

- = NPTF

**Options**

A = Auto Drain (22, 32, and 42 series)  
D = 3 Micron, Internal Pleated Prefilter  
G = Gauge  
J = External Pulse Drain (14 Series)  
M = Metal Bowl with Sight Glass  
Q = Metal Manual Drain

**Port Size**

02 = 1/4 (14 or 22 Series)  
03 = 3/8 (22 Series)  
04 = 1/2 (22 or 32 Series)  
06 = 3/4 (32 Series)  
08 = 1 (42 Series)