

Shut-Off Valve

VS14, VS22, VS32, VSL42 Series

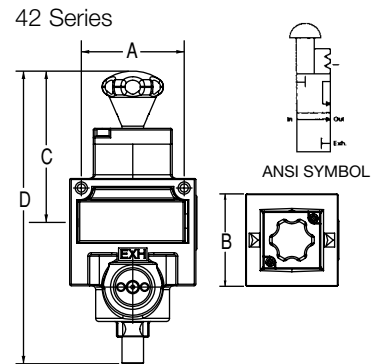
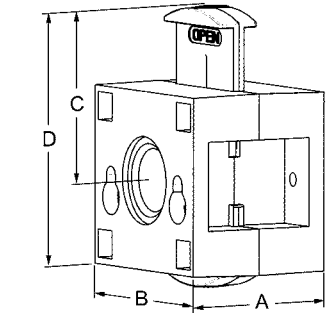
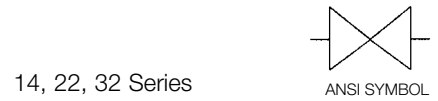
The **FlexiBlok®** Shut-Off Valve is an easy and inexpensive way to add shut off capability to an FRL. The valve includes a lockout feature designed for a padlock to prevent unauthorized downstream pressurization during maintenance. The shut off valve is usually mounted first in the assembly.

Max. inlet pressure: 200 PSI (13.7 bar)

250 PSI (17 bar) - 42 Series

- Relieves downstream pressure when closed
- Lockout feature prevents unauthorized pressurization of system.

		Dimensions					
	NPTF	A	B	C	D	Ports	
14	VS14-02	1.63 (41)	1.6 (41)	1.6 (41)	3 (76)	1/4	
22	VS22-02	2.0 (50)	2.16 (55)	1.86 (47)	3.1 (79)	1/4	
	VS22-03	2.0 (50)	2.16 (55)	1.86 (47)	3.1 (79)	3/8	
	VS22-04	2.0 (50)	2.16 (55)	1.86 (47)	3.1 (79)	1/2	
32	VS32-04	2.25 (57)	3.0 (76)	2.57 (65)	4.2 (107)	1/2	
	VS32-06	2.25 (57)	3.0 (76)	2.57 (65)	4.2 (107)	3/4	
42	VSL42-08	3.2 (83)	4.0 (102)	4.8 (122)	9.3 (236)	1	



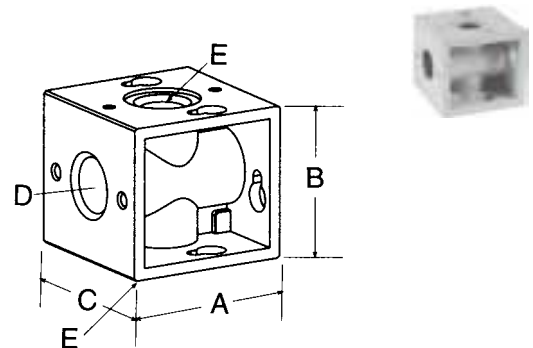
Diverter Block and Gauges

DK14, DK22, DK32, DK42 Series

Designed to give **FlexiBlok®** components total versatility, the diverter block mounts directly inline with the FRL combination. Additional components can then be manifold mounted in a compact manner that doesn't cause excessive pressure drop. There are two available tapped ports per unit.

Max. inlet pressure: 200 PSI (13.7 bar) (14, 22, 32 Series)

250 PSI (17 bar) (42 Series)



		Dimensions					
Series	NPTF	A	B	C	D	E	Ports
14	DK14-02	1.72 (44)	1.54 (39)	1.6 (41)	1/4	1/8	Tapped 1/4 NPTF In & Out with two 1/8 NPTF branches
22	DK22-03	2.16 (55)	2.00 (50)	2.16 (55)	1/2	3/8	Tapped 1/2 NPTF in & out with two 3/8 NPTF branches
32	DK32-04	3.00 (76)	2.70 (69)	3.00 (76)	3/4	1/2	Tapped 3/4 NPTF in & out with two 1/2 NPTF branches
42	DK42-08	4.00 (102)	3.40 (87)	4.00 (102)	1	1	In & Out and branches 1 with two 1 NPTF branches

Gauges

Model	Face Diameter	Thread Size	Pressure Range PSI (BAR)
214-103	1.5	1/8 NPT	0-160 (0-11)
201-188	2.0	1/4 NPT	0-160 (0-11)

