

# FLEXIBLOK<sup>®</sup> Particulate Filters

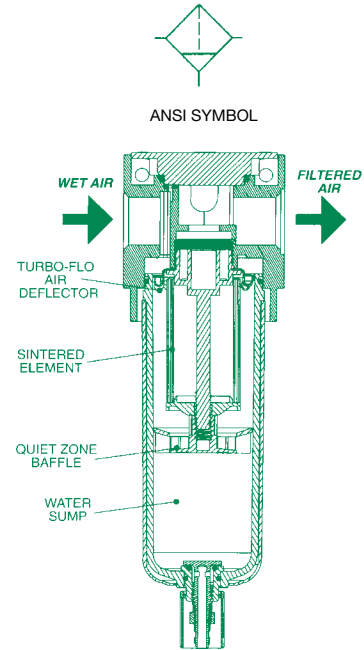
## F14, F22, F32, F42 Series

- Four convenient sizes
- 5 micron sintered elements standard
- Can be installed as modular or individual unit
- Includes screws and o-rings for modular connection
- Manual or automatic drain
- Polycarbonate bowl standard
- Optional metal bowl (sight glass available on 22, 32 and 42 Series)
- Bowl seal held captive (22, 32 and 42 Series)

## Specifications

Bowl		14 Series	22 Series	32 Series	42 Series
Temperature Range °F (°C)		40-120 (4-50)	40-120 (4-50)	40-120 (4-50)	40-120 (4-50)
Max. Pressure PSIG (BAR)	Poly C	150 (10)	150 (10)	150 (10)	150 (10)
	Metal	200 (14)	200 (14)	200 (14)	200 (14)
Weight lbs. (kg)	Poly C	0.60 (0.28)	0.65 (0.30)	1.3 (0.59)	3.70 (1.68)
	Metal	0.65 (0.30)	1.25 (0.57)	2.5 (1.14)	4.80 (2.18)
Nominal Flow SCFM (L/M)*		32 (906)	65 (1841)	105 (2973)	270 (7647)
Body Material		Zinc	Aluminum	Aluminum	Aluminum

\*Nominal flow with a 5 micron element at 80 psig (5.5 bar) inlet and 5 psig (0.35 bar) pressure drop



## How to Order

### Particulate Filters

**Model** \_\_\_\_\_ **F 22 B - 04 A**

F = Filter

**Series** \_\_\_\_\_

14 = 1.5 oz. Bowl  
22 = 3.8 oz. Bowl  
32 = 8.5 oz. Bowl  
42 = 8.5 oz. Bowl

**Element** \_\_\_\_\_

B = 5 Micron Element

**Threads** \_\_\_\_\_

- = NPTF

**Options**

A = Auto Drain (22, 32 and 42 Series)  
J = External Pulse Drain (14 Series)  
M = Metal Bowl with Sight Glass  
Q = Metal Manual Drain

**Port Size**

02 = 1/4 (14 or 22 Series)  
03 = 3/8 (22 Series)  
04 = 1/2 (22 or 32 Series)  
06 = 3/4 (32 Series)  
08 = 1 (42 Series)