

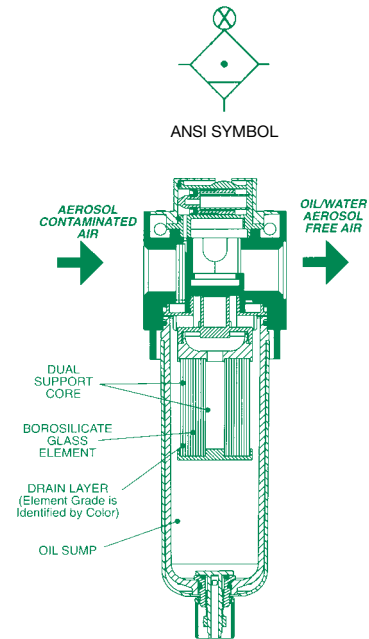
FLEXIBLOK[®] Coalescing Filters

F14D, F22D, F32D, F42D Series

- Four convenient sizes
- Cartridge element design
- Inner and outer support cores prevent element from crushing in either flow direction
- Optional metal bowl (sight glass available on 22, 32 and 42 Series)
- Manual or automatic drain
- DP indicator standard on 14, 22, 32 and 42 Series

Recommended Uses

D grade element, identified by its green drain layer, is a fine filter for cylinder or valves - especially when the circuit is being run without lubrication ('dry'). Excellent filter for desiccant or regenerative style dryers.



Specifications

Bowl		14 Series	22 Series	32 Series	42 Series
Temperature Range °F (°C)		40-120 (4-50)	40-120 (4-50)	40-120 (4-50)	40-120 (4-50)
Max. Pressure PSIG (BAR)	Poly C	150 (10)	150 (10)	150 (10)	150 (10)
	Metal	200 (14)	200 (14)	200 (14)	200 (14)
Weight lbs. (kg)	Poly C	0.65 (0.28)	0.66 (0.30)	1.42 (0.65)	3.70 (1.68)
	Metal	0.70	1.28	2.56	4.80
Nominal Flow SCFM (L/M)*		12 (340)	18 (510)	48 (1359)	100 (2832)
	Body Material	Zinc	Aluminum	Aluminum	Aluminum

*Nominal flow with a 0.3 micron element at 80 psig (5.5 bar) inlet pressure and 1.5 psig (0.1 bar) pressure drop

How to Order

Coalescing Filters

F 22 D - 04 A

Model _____

F = Filter

Series _____

14 = 1.5 oz. Bowl
22 = 3.8 oz. Bowl
32 = 8.5 oz. Bowl
42 = 8.5 oz. Bowl

Element _____

D = 0.3 Micron Fine Coalescer

Threads _____

- = NPTF

Options

A = Auto Drain (22, 32 and 42 Series)
D = 3 Micron, Internal Pleated Prefilter
J = External Pulse Drain (14 Series)
M = Metal Bowl With Sight Glass
Q = Metal Manual Drain

Port Size

02 = 1/4 (14 or 22 Series)
03 = 3/8 (22 Series)
04 = 1/2 (22 or 32 Series)
06 = 3/4 (32 Series)
08 = 1 (42 Series)