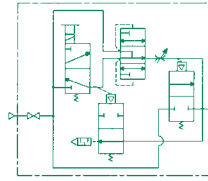


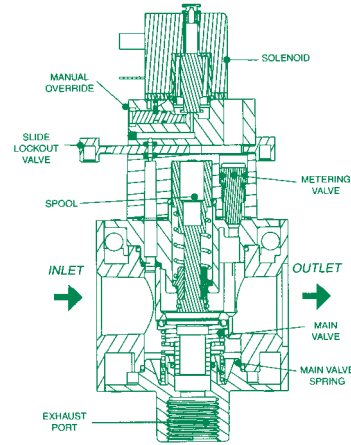
FLEXIBLOK[®] Solenoid Soft Start Quick Exhaust Valve

S22C, S32C, S42C Series

- Three convenient sizes
- Lockout feature prevents unauthorized pressurization of system.
- High exhaust capacity for quick depletion of downstream pressure
- High inlet to outlet flow capability
- Connects easily to **FlexiBlok[®]** Modular system
- Incorporated metering valve controls how quickly downstream pressure is reached, which controls the slow start feature.



ANSI SYMBOL



Specifications

	22 Series	32 Series	42 Series
Exhaust Ports NPTF	1/2	1/2	3/8 (3 exh. ports)
Gauge Ports NPTF	1/8	1/4	1/4
Temperature Range °F (°C)	40-120 (4-50)	40-120 (4-50)	40-120 (4-50)
Min. Pressure PSI (BAR)	60 (4)	60 (4)	20 (1.38)
Max. Pressure PSI (BAR)	150 (10)	150 (10)	150 (10)
Weight lbs. (kg)	0.94 (0.43)	1.56 (0.71)	4.35 (1.97)
Body Material	Aluminum	Aluminum	Aluminum

Series	CV	
	In/Out	Out/Exhaust
22 Series, 1/4	2.0	1.2
22 Series, 3/8	2.87	1.38
22 Series, 1/2	3.62	1.38
32 Series, 1/2	5.24	3.01
32 Series, 3/4	6.47	3.14
42 Series, 1	8.0	5.0

How to Order

Solenoid Soft Start Quick Exhaust Valve

S 22 C - 04 B EGLM

Model _____
S = Solenoid Soft Start

Series _____
22
32
42

Element _____
C = Solenoid Soft Start

Threads _____
- = NPTF

Options
E = 110V AC 50/60 Hz
G = Gauge
K = 24V DC Coil
L = Plug with Light
M = Muffler

Revision Level
B

Port Size
02 = 1/4 (22 Series)
03 = 3/8 (22 Series)
04 = 1/2 (22 or 32 Series)
06 = 3/4 (32 Series)
08 = 1 (42 Series)