



Manual 3353C

**VERTICALLY SUBMERGED  
LUBE OIL PUMPS  
CLASS VCRE**

**SERVICE MANUAL**



**buffalo pumps**



An Ampco-Pittsburgh Company



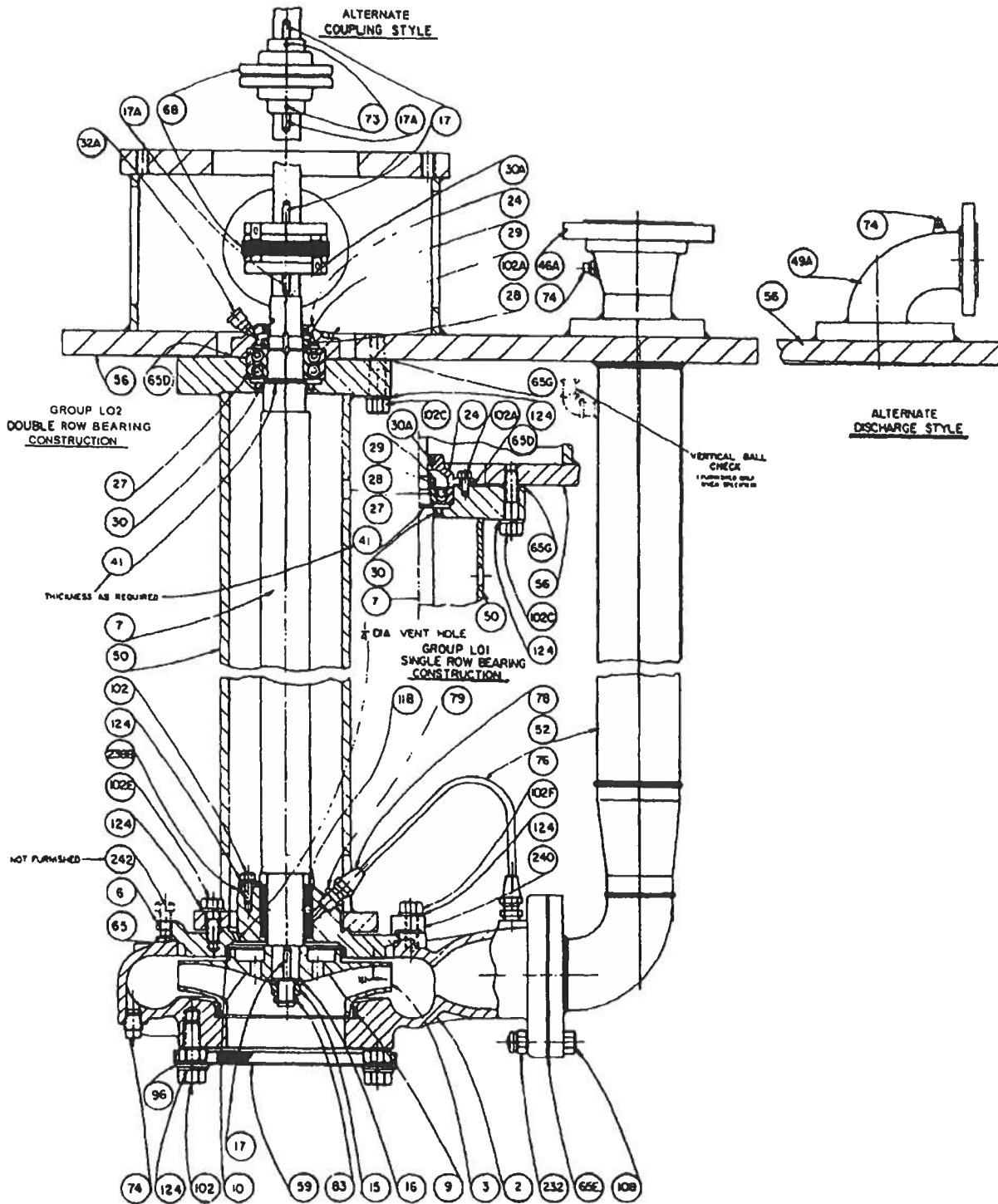


Figure 1. VCRE Vertical Lube Oil Pump with Fabricated Motor Stand and Fiat Suction Strainer

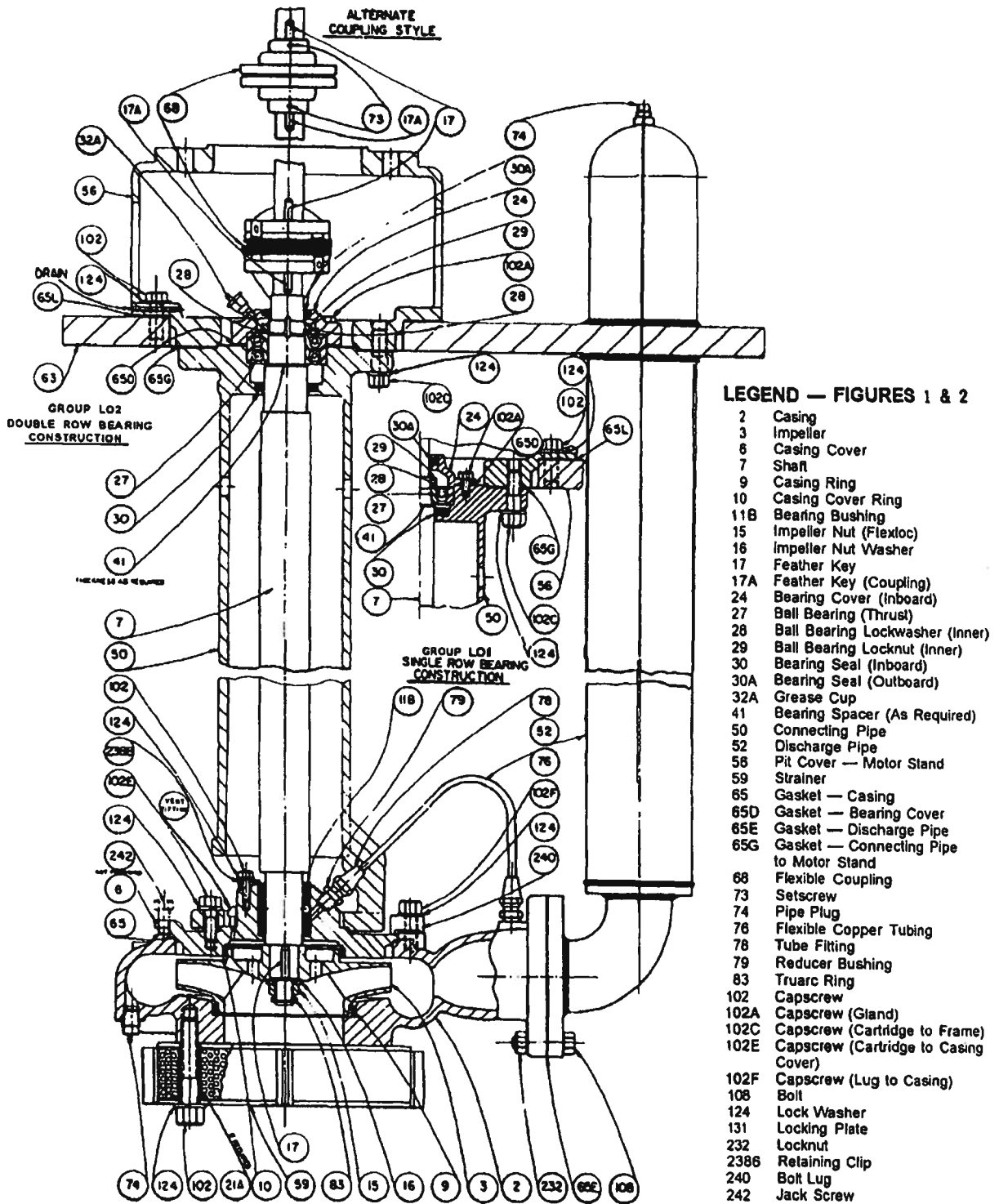


Figure 2. VCRES Vertical Lube Oil Pump with Cast Separate Motor Stand and Basket Suction Strainer