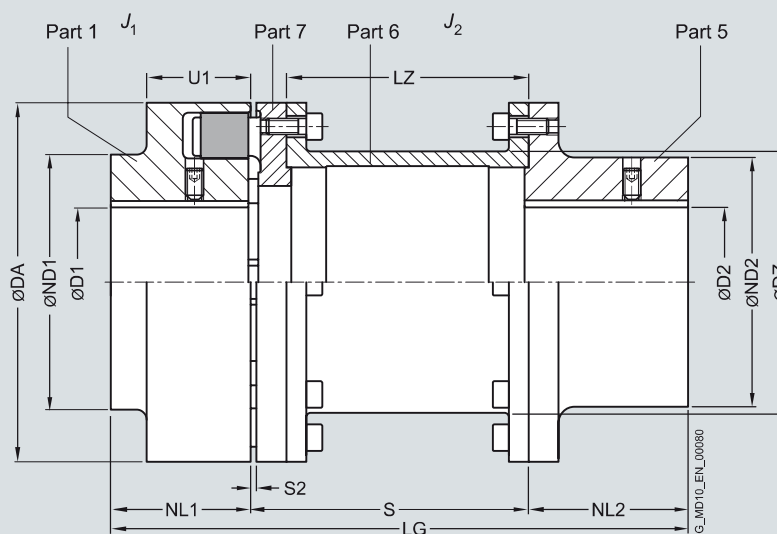


FLENDER Standard Couplings

Flexible Couplings - N-EUPEX and N-EUPEX DS Series

Type H

Selection and ordering data



For dimension U1, see type A

Size	Rated torque flexible type 80 ShoreA T_{KN} Nm	Speed n_{Kmax} rpm	Dimensions in mm Bore with keyway to DIN 6885													Mass moment of inertia		Product code Order codes for bore diameters and tolerances are specified in catalog section 3	Weight m kg
			D1 min.	D2 min.	DA	ND1	ND2	NL1	NL2	S2	S	LZ	DZ	LG	J_1	J_2			
80	60	6000	30	32	80	80	55	30	45	5	100	87	51	175	0.0006	0.001	2LC0100-2AG ■ ■ -0AA0	2.6	
											140	127	215	0.001		2LC0100-2AG ■ ■ -0AB0			2.7
95	100	5500	42	42	95	76	70	35	45	5	100	87	63	180	0.001	0.003	2LC0100-3AG ■ ■ -0AA0	3.5	
											140	127	220	0.003		2LC0100-3AG ■ ■ -0AB0			3.8
110	160	5300	48	48	110	86	80	40	50	5	100	85	73	190	0.003	0.005	2LC0100-4AG ■ ■ -0AA0	5.2	
											140	125	230	0.006		2LC0100-4AG ■ ■ -0AB0			5.4
											180	165	280	0.006		2LC0100-4AG ■ ■ -0AC0			6.0
125	240	5100	55	55	125	100	90	50	5	5	100	85	85	200	0.005	0.01	2LC0100-5AG ■ ■ -0AA0	7.2	
											140	125	240	0.01		2LC0100-5AG ■ ■ -0AB0			7.7
											180	165	290	0.011		2LC0100-5AG ■ ■ -0AC0			8.2
											200	185	320	0.012		2LC0100-5AG ■ ■ -0AD0			8.5
											250	235	380	0.012		2LC0100-5AG ■ ■ -0AE0			9
140	360	4900	60	60	140	100	100	55	65	5	100	82	91	220	0.007	0.018	2LC0100-6AG ■ ■ -0AA0	10.0	
											140	122	260	0.019		2LC0100-6AG ■ ■ -0AB0			10.5
											180	162	300	0.02		2LC0100-6AG ■ ■ -0AC0			11.0
											200	182	320	0.021		2LC0100-6AG ■ ■ -0AD0			11.3
											250	232	385	0.022		2LC0100-6AG ■ ■ -0AE0			12.0
											250	232	385	0.022		2LC0100-6AG ■ ■ -0AE0			12.0
160	560	4250	65	65	160	108	108	60	70	6	100	81.5	111	230	0.013	0.03	2LC0100-7AG ■ ■ -0AA0	13	
											140	121.5	270	0.032		2LC0100-7AG ■ ■ -0AB0			13.7
											180	161.5	310	0.034		2LC0100-7AG ■ ■ -0AC0			14.5
											200	181.5	330	0.035		2LC0100-7AG ■ ■ -0AD0			14.9
											250	231.5	390	0.037		2LC0100-7AG ■ ■ -0AE0			15.9
180	880	3800	75	75	180	125	125	70	80	6	140	121.5	131	290	0.023	0.054	2LC0100-8AG ■ ■ -0AB0	18.5	
											180	161.5	330	0.058		2LC0100-8AG ■ ■ -0AC0			19.4
											200	181.5	350	0.060		2LC0100-8AG ■ ■ -0AD0			21
											250	231.5	400	0.065		2LC0100-8AG ■ ■ -0AE0			22
											250	231.5	400	0.065		2LC0100-8AG ■ ■ -0AE0			22

øD1: • Without finished bore – Without order codes

• With finished bore – With order codes for diameter and tolerance (product code without -Z)

1
9

øD2: • Without finished bore – Without order codes

• With finished bore – With order codes for diameter and tolerance (product code without -Z)

1
9

FLENDER Standard Couplings

Flexible Couplings - N-EUPEX and N-EUPEX DS Series

Type H

Size	Rated torque flexible type 80 ShoreA T_{KN} Nm	Speed n_{Kmax} rpm	Dimensions in mm														Mass moment of inertia		Product code Order codes for bore diameters and tolerances are specified in catalog section 3	Weight m kg	
			Bore with keyway to DIN 6885		D1 min.	D2 max.	DA	ND1	ND2	NL1	NL2	S2	S	LZ	DZ	LG	J_1	J_2			
			D1 min.	D2 max.																	
200	1340	3400	85	85	200	140	140	80	90	6	140	118.5	144	310	0.04	0.095	2LC0101-0AG ■ ■ -0AB0	25.6			
											180	158.5	350	0.1				2LC0101-0AG ■ ■ -0AC0	26.5		
											200	178.5	370	0.105				2LC0101-0AG ■ ■ -0AD0	27.2		
											250	228.5	420	0.11				2LC0101-0AG ■ ■ -0AE0	28.5		
225	2000	3000	90	90	225	150	150	90	100	6	140	118.5	169	330	0.07	0.158	2LC0101-1AG ■ ■ -0AB0	34			
											180	158.5	370	0.16				2LC0101-1AG ■ ■ -0AC0	35		
											200	178.5	390	0.17				2LC0101-1AG ■ ■ -0AD0	36		
											250	228.5	440	0.18				2LC0101-1AG ■ ■ -0AE0	38		
250	2800	2750	46	100	46	100	250	165	165	100	110	8	180	152.5	185	390	0.12	0.27	2LC0101-2AG ■ ■ -0AC0	48	
													200	172.5	410	0.28				2LC0101-2AG ■ ■ -0AD0	50
													250	222.5	460	0.3				2LC0101-2AG ■ ■ -0AE0	52
280	3900	2450	49	110	51	110	280	180	180	110	120	8	250	222.5	215	480	0.20	0.52	2LC0101-3AG ■ ■ -0AE0	70	
315	5500	2150	49	100	51	120	315	165	200	125	140	8	250	222.5	250	515	0.32	0.87	2LC0101-4AG ■ ■ -0AE0	98	
			90	120	200	0.35	2LC0101-4AG ■ ■ -0AE0	100													
350	7700	2000	61	110	51	140	350	180	230	140	150	8	250	220.5	272	540	0.54	1.4	2LC0101-5AG ■ ■ -0AE0	120	
			90	140	230	0.61	2LC0101-5AG ■ ■ -0AE0	125													
400	10300	1700	66	120	51	150	400	200	250	160	180	8	250	185.5	310	590	1.0	2.9	2LC0101-6AG ■ ■ -0AE0	195	
			100	150	250	1.1	2LC0101-6AG ■ ■ -0AE0	200													
440	13500	1550	80	130	51	160	440	215	265	180	180	10	250	182	354	610	1.5	4.1	2LC0101-7AG ■ ■ -0AE0	225	
			120	160	265	1.7	2LC0101-7AG ■ ■ -0AE0	230													
ØD1: <ul style="list-style-type: none"> Without finished bore – Without order codes Without finished bore sizes 315 to 440 for 2nd diameter range D1 – Without order codes With finished bore – With order codes for diameter and tolerance (product code without -Z) 																		1 2 9			
ØD2: <ul style="list-style-type: none"> Without finished bore – Without order codes Without finished bore sizes 315 to 440 for 2nd diameter range D2 – Without order codes With finished bore – With order codes for diameter and tolerance (product code without -Z) 																		1 2 9			

During assembly, the gap dimension S2 must not exceed the permissible tolerance of +1 mm.

The hub diameter of the component part is assigned according to the diameter of the finished bore. Where bore diameters overlap, the component with the smaller hub diameter is always selected.

Weights and mass moments of inertia apply to maximum bore diameters.

Ordering example:

N-EUPEX H coupling, size 160, S = 200 mm,
 Part 1: Bore D1 60H7 mm, keyway to DIN 6885-1 and set screw,
 Part 2: Bore D2 55H7 mm, keyway to DIN 6885-1 and set screw.

Product code:

2LC0100-7AG99-0AD0
L1E+M1D

The product code applies to standard flexibles of 80 ShoreA; the product code for alternative flexible types is available on request.

