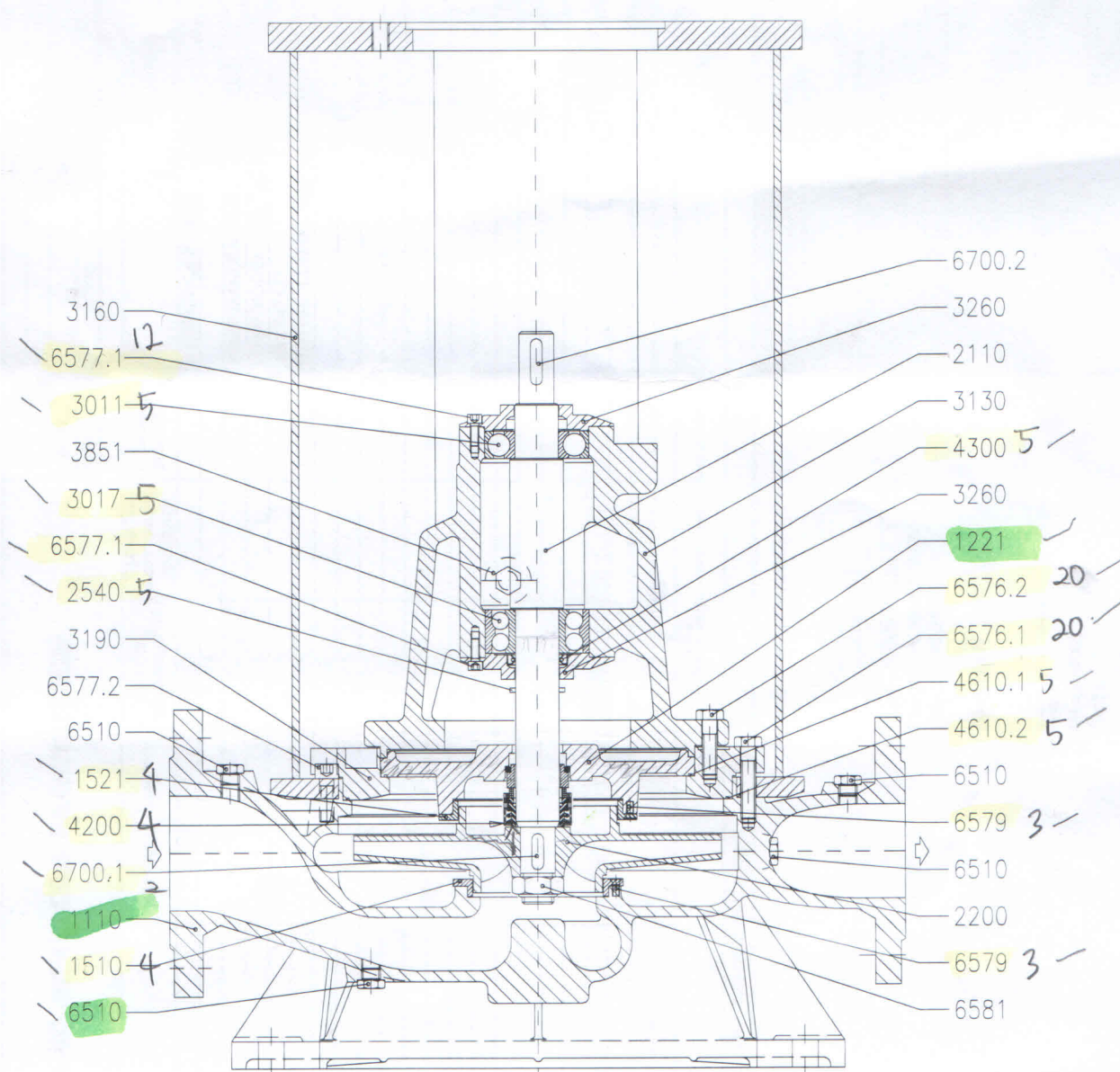


17.3 MU IN LINE



09747-S

List of components

1110	Pump casing	3130	Double bearing bracket	6576.1	Screw*
1221	Casing cover	3160	Motor stool	6576.2	Screw
1510	Casing wear ring	3190	Reduction ring*	6577.1	Socket head screw
1521	Casing wear ring	3260	Bearing bracket cover	6577.2	Socket head screw
2110	Pump shaft	3851	Stauffer	6579	Flat head screw
2200	Impeller	4200	Mechanical seal	6581	Impeller heavy selflocking nut
2540	Deflector	4300	Radial lip seal	6700.1	Key
3011	Radial ball bearing	4610.1	O-ring	6700.2	Key
3017	Double row angular contact ball bearing	4610.2	O-ring*	* Version with reduction ring	
		6510	Screw plug		