

BVA23 - Ball valve (stainless steel, 3-piece body) 1/4"-4"

Description

Stainless steel ball valve with 3-piece body, full bore, top flange for mounting of actuator

Product features

- Connection (Face to face dimension)
 - BVA23FT threaded ends DIN EN 10226-1 Rp1/4" - 4" (DIN 3202-M3)
 - BVA23FB buttweld ends DN 10-100 (DIN 3202-S13)
 - BVA23FL buttweld ends long DN 15-100
 - BVA23FF flanged ends PN 40 DN 15-100 (DIN 3202-F1)
- Max. working pressure 63 bar (BVA23FF 40 bar)
- Temperature range -20°C ÷ 160°C, Versions for lower temperatures on request



The ball valves BVA23 meet the safety requirements of the pressure Equipments Directive 2014/68/EU (PED) appendix 1 for fluids of the groups 1 and 2.



BVA23FT



BVA23FB



BVA23FL

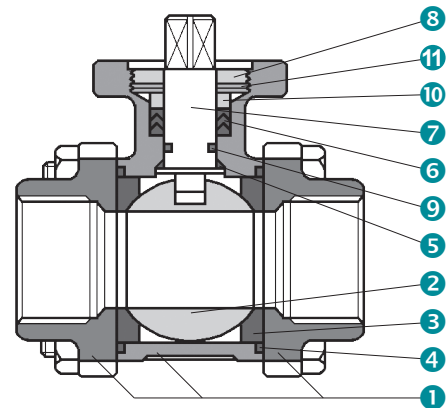


BVA23FF

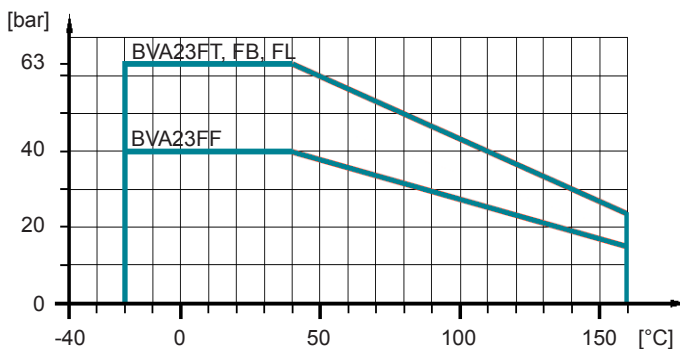


Construction

1	3-piece body	1.4408 (CF8M)
2	Ball	AISI 316 (1.4401)
3	Seat ring white (standard)	PTFE
3	Seat ring grey (for steam)	PTFE-C, 25% Carbon
4	Seal ring	PTFE
5	Washer	PTFE
6	Stem seal self-adjusting with bevel washer (for approx. 30.000 cycles)	PTFE
7	Stem	AISI 316 (1.4401)
8	Gland nut	AISI 304 (1.4301)
9	Seal ring	Viton
10	Gland ring	AISI 304 (1.4301)
11	Bevel washer	Spring steel



Pressure / temperature diagram



For temperatures >100°C a mounting bracket with adapter is mounted between ball valve and actuator.

For applications with steam:
 - use seat ring „S“ PTFE-C, 25% Carbon
 - $t_{max} = 160^{\circ}\text{C}$, $p_{max} = 6 \text{ bar}$

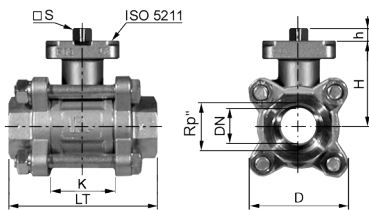
BVA23 - Ball valve (stainless steel, 3-piece body) 1/4"-4"

Type code

	BVA	23	F	T	014	SS	T
	①	②	③	④	⑤	⑥	⑦
① Type	BVA	Ball valve with top flange					
② Construction	23	2/2 ways, 3-piece body					
③ Bore	F	Full bore					
④ Connection	T	Threaded ends DIN EN 10226-1 (DIN 2999)					
	B	Buttweld ends ≈ according to DIN EN 12627					
	L	Buttweld ends long ≈ according to DIN EN 12627					
	F	Flanged ends PN 40					
⑤ Size	014-400	Rp 1/4" - 4"					
	015-100	DN 15-100 (BVA23FF)					
⑥ Materials body / ball	S	Body stainless steel				1.4408 (CF8M)	
	S	Ball stainless steel				AISI 316 (1.4401)	
⑦ Materials seat ring	T	Seat ring white (standard)				PTFE	
	S	Seat ring grey (for steam) tmax = 160°C, pmax = 5 bar				PTFE-C, 25% Carbon	

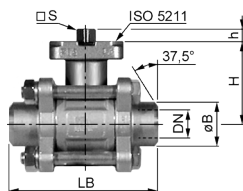
Dimensions

BVA23FT



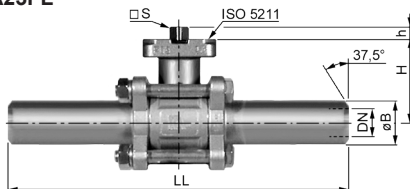
	Rp"	DN	LT	H	K	h	D	S	ISO	kv[m³/h]	kg
BVA23FT.014.SST	¼	8	65	40	21	7	48.5	9	F03+04	6	0.35
BVA23FT.038.SST	¾	10	65	40	21	7	48.5	9	F03+04	9	0.40
BVA23FT.012.SST	½	15	75	40	26	7	48.5	9	F03+04	19	0.65
BVA23FT.034.SST	¾	20	80	44	33	9	53.5	9	F03+04	46	0.80
BVA23FT.100.SST	1	25	90	52	39	12	60.5	11	F04+05	72	1.20
BVA23FT.114.SST	1¼	32	110	58	51	12	72	11	F04+05	105	1.95
BVA23FT.112.SST	1½	40	120	68	58	16	81.5	14	F05+07	170	2.75
BVA23FT.200.SST	2	50	140	72	71	16	99.5	14	F05+07	275	4.50
BVA23FT.212.SST	2½	65	185	98	77	19	126	17	F07+10	507	8.90
BVA23FT.300.SST	3	80	205	110	105	19	191	17	F07+10	905	12.9
BVA23FT.400.SST	4	100	240	138	130	24	223	22	F10	1414	22.5

BVA23FB



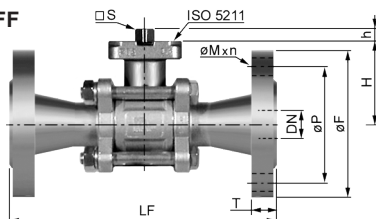
	Rp"	DN	øB	LB	H	h	S	ISO	kv[m³/h]	kg
BVA23FB.014.SST	¼	8	20	70	40	7	9	F03+04	6	0.35
BVA23FB.038.SST	¾	10	20	70	40	7	9	F03+04	9	0.40
BVA23FB.012.SST	½	15	23	75	40	7	9	F03+04	19	0.65
BVA23FB.034.SST	¾	20	28	90	44	9	9	F03+04	46	0.80
BVA23FB.100.SST	1	25	34	100	52	12	11	F04+05	72	1.20
BVA23FB.114.SST	1¼	32	41	110	58	12	11	F04+05	105	1.95
BVA23FB.112.SST	1½	40	49	125	68	16	14	F05+07	170	2.75
BVA23FB.200.SST	2	50	62	150	72	16	14	F05+07	275	4.50
BVA23FB.212.SST	2½	65	78	190	98	19	17	F07+10	507	8.90
BVA23FB.300.SST	3	80	94	220	110	19	17	F07+10	905	12.9
BVA23FB.400.SST	4	100	125	270	138	24	22	F10	1414	22.5

BVA23FL



	Rp"	DN	øB	LL	H	h	S	ISO	kv[m³/h]	kg
BVA23FL.012.SST	½	15	23	225	40	7	9	F03+04	19	0.72
BVA23FL.034.SST	¾	20	28	225	44	9	9	F03+04	46	0.88
BVA23FL.100.SST	1	25	34	245	52	12	11	F04+05	72	1.32
BVA23FL.114.SST	1¼	32	41	255	58	12	11	F04+05	105	2.15
BVA23FL.112.SST	1½	40	49	260	68	16	14	F05+07	170	3.03
BVA23FL.200.SST	2	50	62	275	72	16	14	F05+07	275	4.95
BVA23FL.212.SST	2½	65	78	335	98	19	17	F07+10	507	9.79
BVA23FL.300.SST	3	80	94	355	110	19	17	F07+10	905	14.2
BVA23FL.400.SST	4	100	125	365	138	24	22	F10	1414	24.8

BVA23FF



	Rp"	DN	øF	øP	T	øMxN	LF	H	h	S	ISO	kv[m³/h]	kg
BVA23FF.015.SST	¼	15	95	65	16	14x4	130	40	7	9	F03+04	19	2.45
BVA23FF.020.SST	½	20	105	75	18	14x4	150	44	9	9	F03+04	46	3.50
BVA23FF.025.SST	¾	25	115	85	18	14x4	160	52	12	11	F04+05	72	4.70
BVA23FF.032.SST	1	32	140	100	18	18x4	180	58	12	11	F04+05	105	5.90
BVA23FF.040.SST	1¼	40	150	110	18	18x4	200	68	16	14	F05+07	170	7.80
BVA23FF.050.SST	1½	50	165	125	20	18x4	230	72	16	14	F05+07	275	11.3
BVA23FF.065.SST	2	65	185	145	22	18x8	290	98	19	17	F07+10	507	16.9
BVA23FF.080.SST	2½	80	200	160	24	18x8	310	110	19	17	F07+10	905	23.9
BVA23FF.100.SST	3	100	235	190	24	22x8	350	138	24	22	F10	1414	34.9

The technical data are noncommittal and do not assure you of any properties. Please refer to our general sales conditions. Modifications without notice.

© 2020 InterApp AG, all rights reserved