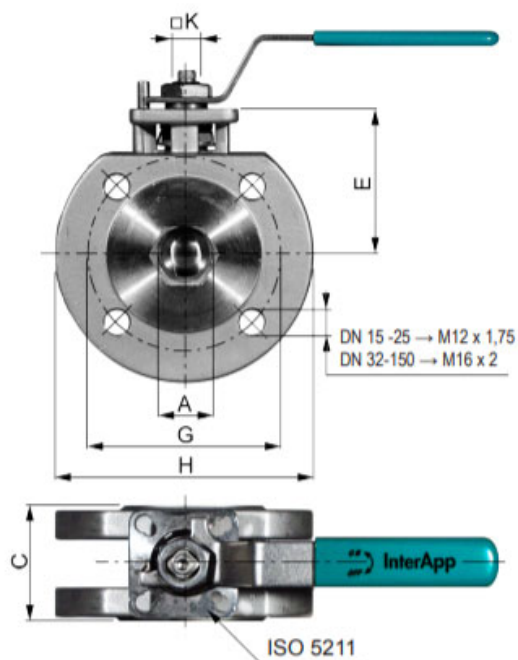


Type code

BVC	21	F	F	.	025	.	S	S	T
1	2	3	4	5	6	7	8		

1 Type	BVC	Ball valve with top flange	
2 Construction	21	2/2 ways, one-piece body	
3 Bore	F	Full bore	
4 Connection	F	Flanged ends	
5 Size	015-150	DN 15-150	
6 Materials body	S	stainless steel	1.4408 (CF8M)
	C	cast steel	GS-C25 (ASTM A216 WCB)
7 Material ball	S	stainless steel	AISI 316 (1.4401)
8 Materials seat ring	T	Seat ring	PTFE

Dimensions



	DN	A	C	G	H	E	K	ISO 5211	kv[m³/h]	[kg]
BVC21FF.015.SST	15	15	40	65	95	60,0	9	F03+04	35	1,6
BVC21FF.020.SST	20	20	44	75	105	64,3	9	F03+04	46	2,1
BVC21FF.025.SST	25	25	53	85	115	64,6	11	F04+05	72	2,6
BVC21FF.032.SST	32	32	58,4	100	135	69,0	11	F04+05	105	3,6
BVC21FF.040.SST	40	38	62	110	145	76,3	14	F05+07	170	4,3
BVC21FF.050.SST	50	50	78	125	155	85,7	14	F05+07	275	6,0
BVC21FF.065.SST	65	65	100	145	185	105	17	F07	507	10,0
BVC21FF.080.SST	80	76	120	160	200	123	17	F07	905	14,1
BVC21FF.100.SST	100	96	152	180	220	132	17	F07+10	1414	20,6
BVC21FF.125.SST	125	114	180	210	250	157,5	27	F10+12	2362	25
BVC21FF.150.SST	150	135	215	240	285	172,5	27	F10+12	3674	35