

## Description

Centric butterfly valve with elastomer liner for liquids and gases in the industrial range, general services, water treatment, ...

## Product features

- Body construction D1 Wafer DN 25-1000  
D3 Lug DN 25-600  
D4 U-section DN 150-1600
- Face to face dimension according to ISO 5752/20, EN 558-1/20
- Top flange according to EN ISO 5211
- Max. working pressure 16 bar
- Rating PN6, PN10, PN16, ANSI cl. 150
- Temperature range -20°C ÷ 140°C according to material
- Tightness test according to EN 12266-1/P12 leakage rate A, test fluid water



CE

The butterfly valves DESPONIA meet the safety requirements of the pressure Equipments Directive 97/23/EC (PED) appendix 1 for fluids of the groups 1 and 2.



SIL

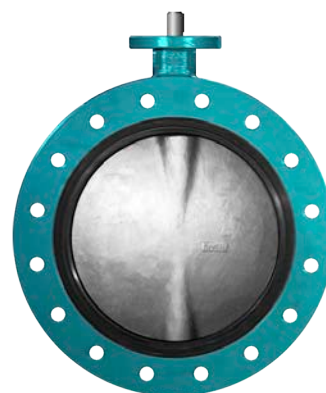
Butterfly valves DESPONIA are suitable to be operated in safety related systems according to IEC 61508 / 61511, Safety Integrity Level SIL 2



D1  
Wafer



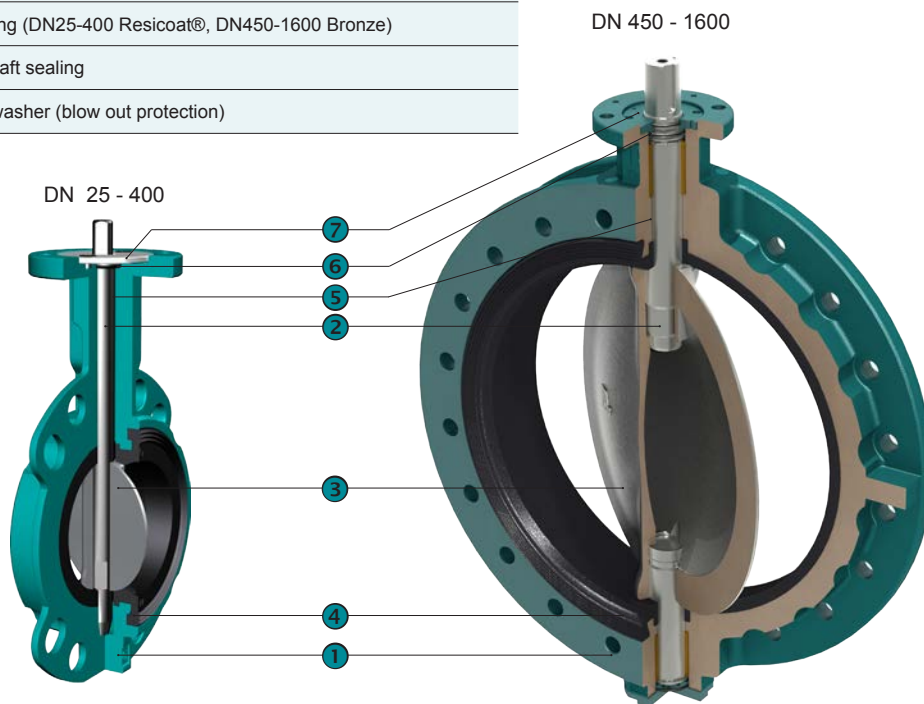
D3  
Lug



D4  
U-section

## Construction

1	Body (extended valve neck allowing insulation)
2	Blow out proof shaft with position indication
3	Disc
4	Exchangeable liner with sealing grooves on the tightening face
5	Shaft bearing (DN25-400 Resicoat®, DN450-1600 Bronze)
6	External shaft sealing
7	Retaining washer (blow out protection)



## Kv values m³/h

opening angle of the valve

Sizes	20°	30°	40°	50°	60°	70°	80°	90°
25/32		1,5	5	10	15	26	34	40
40		2,7	8,5	16	25	37	46	50
50	2	7	15	28	45	68	88	100
65	3	11	24	48	85	138	180	210
80	8	22	50	83	134	230	312	360
100	15	35	70	130	225	410	585	650
125	28	70	135	230	360	600	920	1050
150	33	95	205	320	580	980	1410	1620
200	60	175	355	580	910	1600	2450	2800
250	132	340	590	940	1480	2550	3950	4480
300	200	505	890	1450	2100	3800	5960	6800
350	280	680	1200	2050	3150	5050	8100	9200
400	365	860	1500	2490	3980	6600	10200	11700
450	465	1080	1900	3150	5050	8700	13300	15200
500	580	1200	2300	3740	6150	11000	16800	18900
600	820	1600	2780	5200	8940	14500	23500	26800
700	890	2050	3450	6050	11050	18800	31500	37100
800	1300	2550	4950	8750	14200	23500	39500	48500
900	1650	3300	6400	11800	19400	31500	52500	61300
1000	2150	4250	8200	15100	23500	39400	65500	80500
1200	4000	7500	12500	19800	34000	55400	98300	119200
1400	5200	10120	18200	32500	51500	89500	142000	162000
1600	7100	14210	26050	45000	71200	118500	196200	228500

# DESPONIA - Butterfly valve DN 25 - 1600

## Type code




		D1	0100	.	3	3	-	2AR	.	4A	.	2AR	.	E			
		①	②	③	④	⑤	⑥	⑦	⑧								
①	Type	D1	Wafer											DN25-1000			
		D3	Lug body											DN25-600			
		D4	U-section body											DN150-1600			
②	Nominal diameter	0025-1600	mm														
③	Working pressure	0	2,5 bar														
		1	6 bar														
		*	10/16bar, see table below														
④	Rating	**	PN6/10/16 see table below. Other ratings on request														
⑤	Body	1AE	Cast iron EN-GJL-250, Polyurethan coated 70µ										< 140°C	DN450-1600			
		2AR	Ductile iron EN-GJS-400-15, Epoxy (Resicoat®) coated 200µ										< 110°C <sup>1)</sup>	DN25-400			
		2AE	Ductile iron EN-GJS-400-15, Polyurethan coated 70µ										< 140°C	DN450-1600			
		2AN	Ductile iron EN-GJS-400-15, Polyurethan coated 250µ										< 140°C				
⑥	Shaft	4A	Stainless steel 1.4021, AISI420														
		4L	Stainless steel 1.4542 / 17-4PH														
⑦	Disc	2AR	Ductile iron EN-GJS-400-15, Rilsan coated 250µ										< 90°C	DN25-700			
		2AE	Ductile iron EN-GJS-400-15, Polyurethan coated 70µ										< 120°C	DN800-1600			
		2AC	Ductile iron EN-GJS-400-15, Chrome coated											DN25-600			
		2AH	Ductile iron EN-GJS-400-15, Halar coated min.600µ										< 70°C				
		3OD	Carbon steel 1.0552 / GS52.3, Ultralene Coating™ coated										< 80°C, pmax. 10 ≤ DN300 / 6 bar > DN800	DN80-300, 800-1400			
		4C0	Stainless steel 1.4408 ≈ CF8M														
		4CP	Stainless steel 1.4408 ≈ CF8M polished												DN25-600		
		4CQ	Stainless steel 1.4408, PEKK coated min. 400µ										< 200°C				
		4S0	Super austenitic steel 1.4588														
		5C0	Alubronze ASTM B148 C95800 / G-Cu Al 10 Ni														
⑧	Liner	7H0	Hastelloy ASTM A494 CW-12MW												≥ DN450 on request		
		E	EPDM		< 95°C		pmax DN25-1200 = 16 bar, DN1400-1600 = 10 bar										
		EE	EPDM DVGW, ACS, WRAS, EN681-1		< 80°C		pmax DN25-1200 = 16 bar, DN1400-1600 = 10 bar										
		EC	EPDM HT		< 130°C		pmax DN25-1200 = 16 bar, DN1400-1600 = 10 bar										
		N	Nitril (NBR)		< 100°C		pmax DN25-300 = 16 bar, DN350-1600 = 10 bar										
		H	CSM (Hypalon)		< 125°C		pmax DN25-300 = 16 bar, DN350-1600 = 10 bar										
		V	FPM (Viton)		< 200°C		pmax DN25-300 = 16 bar, DN350-1600 = 10 bar										
		Other materials and white liners on request															

1) For temperatures between 110 and 140 °C, the valve is only tight up to next lower pressure class (e.g. PN16 valve, max. 10 bar)

### \* Working pressure (Code)

Body material	DN→	25	32	40	50	65	80	100	125	150	200	250	300	350	400	450	500	600	700	800	900	1000	1200	1400	1600	
EN-GJL-250 (1A)	6 bar																									1
	10 bar																									
EN-GJS-400-15 (2A)	10 bar																									
	16 bar																									

### \*\*Rating (Code)

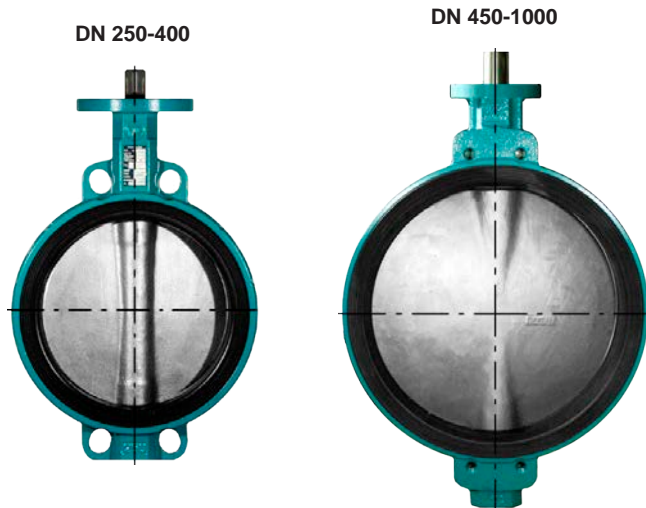
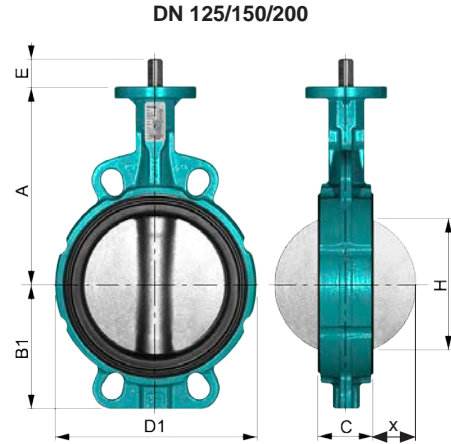
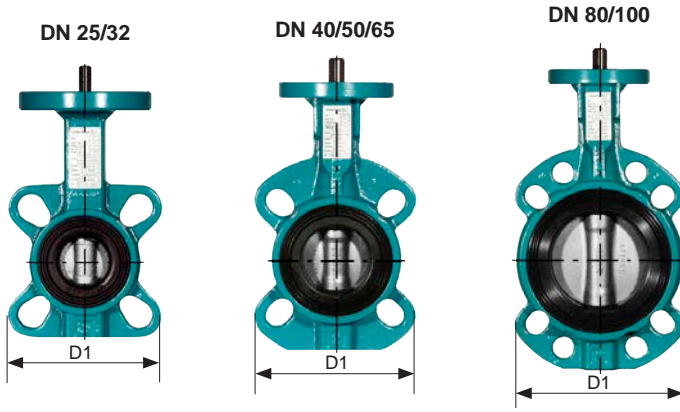
DESPONIA	DN→	25	32	40	50	65	80	100	125	150	200	250	300	350	400	450	500	600	700	800	900	1000	1200	1400	1600	
 D1	PN6																									
	PN10																									
	PN16																									
	ANSI cl. 150																									
 D3	PN10																									
	PN16																									
	ANSI cl. 150																									
 D4	PN10																									
	PN16																									
	ANSI cl. 150																									

Max. pressure and temperature limits of application are dependent of the working conditions.

Other executions on request !

## Dimensions

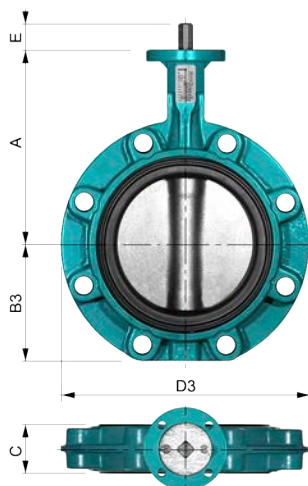
### D1 Wafer, DN25-1000



DN	A	B1	C	D1	E	H*	x*	[kg]
(25)32	110	51	30	101	19	19	3	1,4
40	130	54	33	108	19	28	6	2
50	135	72	43	120	19	32	6	3
65	150	82	46	138	19	50	11	3,6
80	160	92	46	142	19	69	19	4
100	180	102	52	162	19	88	26	5,5
125	195	120	56	189	19	115	36	7,5
150	210	133	56	214	19	141	48	8,6
200	240	166	60	270	25	194	72	12,7
250	279	201	68	324	32	240	91	22,2
300	315	234	78	378	32	290	112	30,8
350	330	268	80	425	40	330	130	41,5
400	365	299	102	475	40	377	145	57,2
450	397	355	113	538	65	425	164	95
500	437	393	126	595	65	474	182	125
600	522	464	153	695	80	569	218	180
700	565	503	168	800	80	660	257	280
800	627	577	190	908	80	774	304	387
900	696	643	204	1015	100	855	337	502
1000	745	693	218	1133	100	960	383	710

\* When using plastic stubs please check dimension H/x to avoid damaging of disc

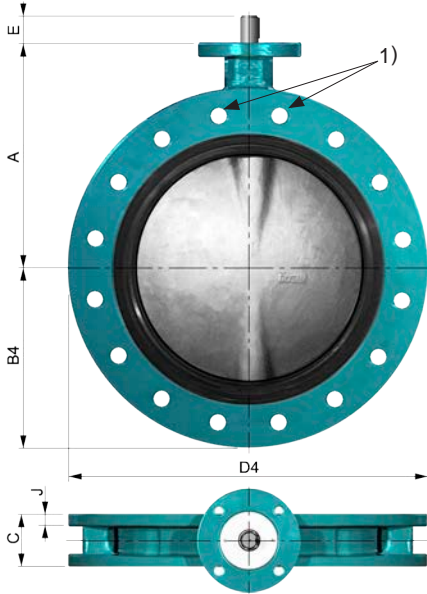
### D3 Lug body, DN 25-600



DN	A	B3	C	D3	E	H*	x*	[kg]
25	110	51	30	101	19	19	3	1,4
32	110	51	30	101	19	19	3	1,4
40	130	54	33	108	19	28	6	2
50	135	72	43	116	19	32	6	3,2
65	150	82	46	131	19	50	11	4
80	160	88	46	188	19	69	19	6,1
100	180	102	52	219	19	88	26	8,5
125	195	116	56	248	19	115	36	10
150	210	128	56	274	19	141	48	11
200	240	161	60	332	25	194	72	19,6
250	279	199	68	402	32	240	91	28,7
300	315	234	78	472	32	290	112	41,2
350	330	258	80	520	40	330	130	55
400	365	290	102	584	40	377	145	75
450	397	355	113	655	65	425	164	150
500	437	393	126	712	65	474	182	170
600	522	464	153	829	80	569	218	240

## Dimensions

### D4 U-section body, DN 150-1600



DN	A	B4	C	D4	H*	x*	J	E	[kg]
150	210	143	56	285	141	48	10	19	15
200	240	170	60	340	194	72	12,5	25	19,5
250	279	200	68	406	240	91	15	32	30,5
300	315	239	78	482	290	112	15	32	44
350	330	265	80	533	330	130	18	40	59
400	365	296	102	597	377	145	20	40	82
450	397	355	113	640	425	164	24	65	118
500	437	393	126	715	474	182	26	65	175
600	522	464	153	840	569	218	28,5	80	260
700	565	503	168	927	660	257	31,5	80	345
750	590	541	170	985	709	272	34	80	435
800	627	577	190	1060	774	304	36,5	80	510
900	696	643	204	1170	855	337	38	100	660
1000	745	693	218	1255	960	383	44	100	790
1100	820	738	218	1395	1054	429	44	100	850
1200	881	806	254	1485	1149	462	47	120	1180
1400	990	908	280	1746	1336	543	40	120	1700
1600	1117	1048	318	1924	1553	634	50	155	2600

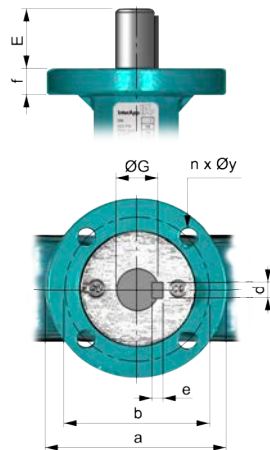
1) DN 450 - 1600, 2 x threads on valve neck and bottom

### Top flange according to ISO 5211

#### DN 25-400



#### DN 450-1600



DN	E	G	d	e	f	ISO	a	b	n x Øy
25-40	19	□ 8	-	-	12	F07	90	70	4 x 9
50-100	19	□ 11	-	-	12	F07	90	70	4 x 9
125-150	19	□ 14	-	-	12	F07	90	70	4 x 9
200	25	□ 17	-	-	12	F07	90	70	4 x 9
250-300	32	□ 22	-	-	18	F10/F12	150	102/125	4 x 11 / 4 x 13
350	40	□ 22	-	-	18	F12	155	125	4 x 13
400	40	□ 27	-	-	18	F12	155	125	4 x 13
450-500	65	Ø 45	14	9	25	F14	175	140	4 x 18
600	80	Ø 70	20	12	25	F16	220	165	4 x 22
700	80	Ø 70	20	12	25	F25	300	254	8 x 18
(750)	80	Ø 70	20	12	30	F25	300	254	8 x 18
800	80	Ø 70	20	12	30	F25	300	254	8 x 18
900	100	Ø 80	22	14	30	F30	350	298	8 x 22
1000	100	Ø 80	22	14	30	F30	350	298	8 x 22
(1100)	100	Ø 80	22	14	30	F30	350	298	8 x 22
1200	120	Ø 100	28	16	30	F30	350	298	8 x 22
1400	120	Ø 120	32	18	35	F30	350	298	8 x 22
1600	155	Ø 130	32	18	40	F35	418	356	8 x 33,5

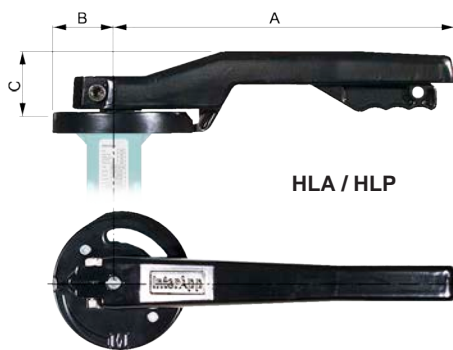
### Installation at the end of a line



When installing the valve at the end of a line please consult document **Installation/Maintenance DESPONIA**.

## Dimensions

### Handlever (DN25-300)

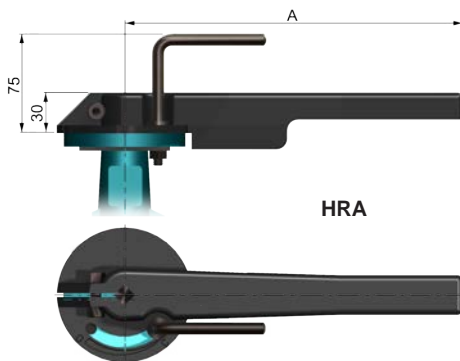


Aluminium, Epoxy coated

DN		A	B	C	[kg]
25-40	<b>HLA.F0708.180</b>	180	45,5	41	0,4
50-65	<b>HLA.F0711.180</b>	180	45,5	41	0,4
80-100	<b>HLA.F0711.240</b>	243	45,5	43	0,5
125-150	<b>HLA.F0714.340</b>	340	45,5	51	0,6
200	<b>HLA.F0717.340</b>	340	45,5	51	0,6

Polyamide PA 6, 30% glass fibers reinforced

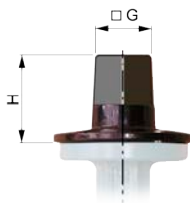
DN		A	B	C	[kg]
25-40	<b>HLP.F0708.240</b>	243	45,5	41	0,3
50-65	<b>HLP.F0711.240</b>	243	45,5	41	0,3
80-100	<b>HLP.F0711.240</b>	243	45,5	43	0,3
125-150	<b>HLP.F0714.340</b>	340	45,5	51	0,5
200	<b>HLP.F0717.340</b>	340	45,5	51	0,5



Aluminium, Epoxy coated

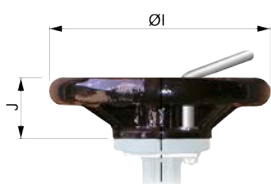
DN		A	[kg]
25-40	<b>HRA.F0708.180</b>	180	0,4
50-65	<b>HRA.F0711.180</b>	180	0,4
80-100	<b>HRA.F0711.250</b>	250	0,5
125-150	<b>HRA.F0714.340</b>	340	0,6
200	<b>HRA.F0717.340</b>	340	0,6

### Plumber square (DN25-200)



DN		G	H
25-40	<b>PO.F0708.30</b>	30	65
50-100	<b>PO.F0711.30</b>	30	65
125-150	<b>PO.F0714.30</b>	30	65
200	<b>PO.F0717.30</b>	30	65

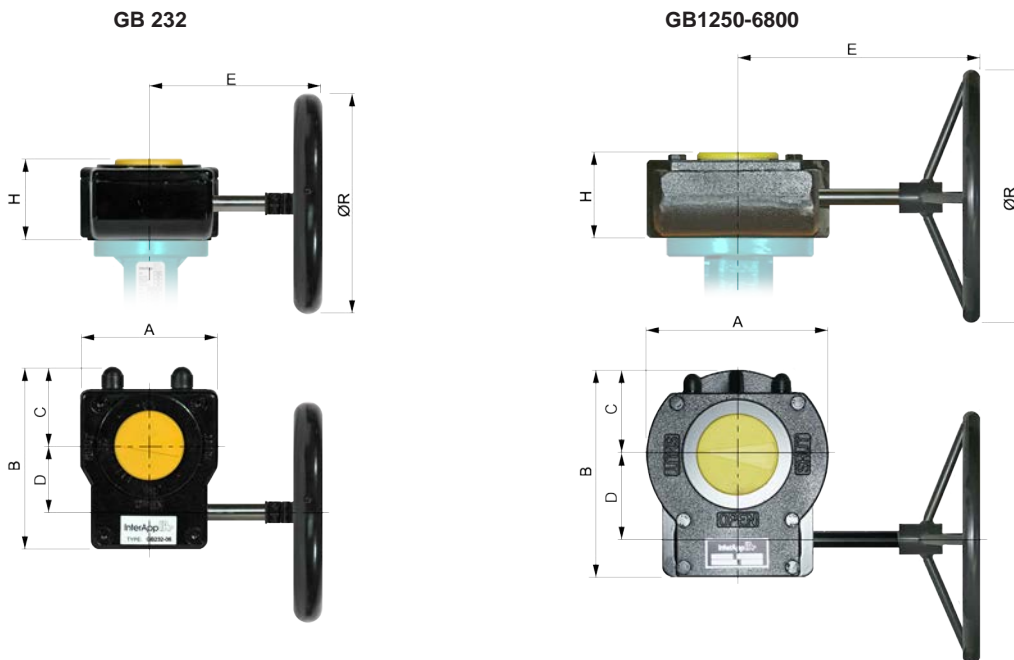
### Handwheel (DN25-150)



DN		I	J
25-40	<b>HW.F0708.200</b>	200	52
50-100	<b>HW.F0711.200</b>	200	52
125-150	<b>HW.F0714.250</b>	250	52

## Dimensions

### Gearbox



For liquids 20°C - 80°C , p<sub>max</sub> DN25-300 ...16 bar, DN350-1600 ... 10 bar

DN		A	B	C	D	E	H	ØR	n*	[kg]
25-40	GB232-05.F05-F0708.100	80	114	48	42.5	121	53	100	10	0.8
50-100	GB232-05.F05-F0711.100	80	114	48	42.5	121	53	100	10	0.8
125-150	GB232-05.F05-F0714.100	80	114	48	42.5	121	53	100	10	0.8
200	GB232-06.F05-F0717.160	80	114	48	42.5	180	59	160	10	0.9
250-300	GB232-08.F07-F1022.250	100	131	56	50	216	67	250	9.25	1.55
350	GB232-13.F10-F1222.300	175	209	83	80	361	84	300	10	5.4
400	GB232-13.F10-F1227.500	175	209	83	80	396	84	500	10	5.4
450	GB1250N.F1445.400	220	258	110	104.5	326	102	400	13.75	22
500	GB1250N.F1445.400	220	258	110	104.5	326	102	400	13.75	22
600	GB2000N.F1670.500	241	255	106	53	348	121	500	27	24
700	GB2000NLB.F2570.600-SH100	285	293	142	53	348	121	600	27	27
750	GB2000NLB.F2570.700-SH100	285	293	142	53	348	121	700	27	27
800	GB1950N/PR4.F2570.500	285	322.5	142.5	130	417	126	500	54	39
900	GB1950NLB/PR4.F3080.500-SH100	350	355	175	130	445	129	500	54	52
1000	GB6800N/PR4.F3080.500	370	407	170	182	470	159	500	81	62.5
1100	GB6800N/PR4.F3080.500	370	407	170	182	470	159	500	81	62.5
1200	GB6800N/PR4.F30100.600	370	407	170	182	480	159	600	117	62.5
1400	GBA200N/PR10.F30120.700	440	492	207.5	209	490.5	215	700	182.25	134.4
1600	GBIW82/R720.F35130.800	520	531	260	67	600.5	185	800	130	222

\* n = Handwheel turns ON/OFF

Material:

GB232 : Aluminium, Polyurethan coated  
 GB880-GB6800 : Cast iron, Polyurethan coated