

## Description

Centric butterfly valve with elastomer liner for HVAC applications, swimming pools and irrigation

## Product features

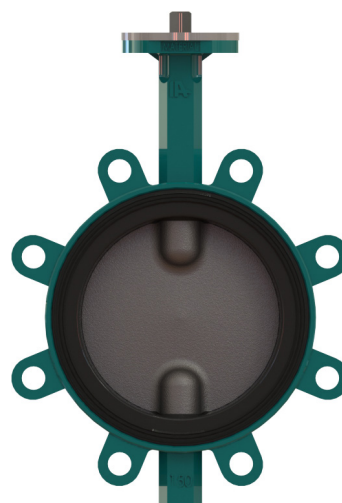
- Body construction AP1 Wafer DN 25-300, AP3 Lug DN 25-300
- Face to face dimension according to ISO 5752/20, EN 558-1/20
- Top flange according to EN ISO 5211
- Max. working pressure 16 bar (DN25-150), 10 bar (DN200-300).
- Rating PN6, PN10, PN16, ANSI cl. 150
- Temperature range -20°C ÷ 130°C
- Tightness test according to EN 12266-1/P12 leakage rate A, test fluid water



The butterfly valves AQUARIA plus meet the safety requirements of the pressure Equipments Directive 2014/68/EC (PED) appendix 1 for fluids of the groups 1 and 2.



AP1  
Wafer

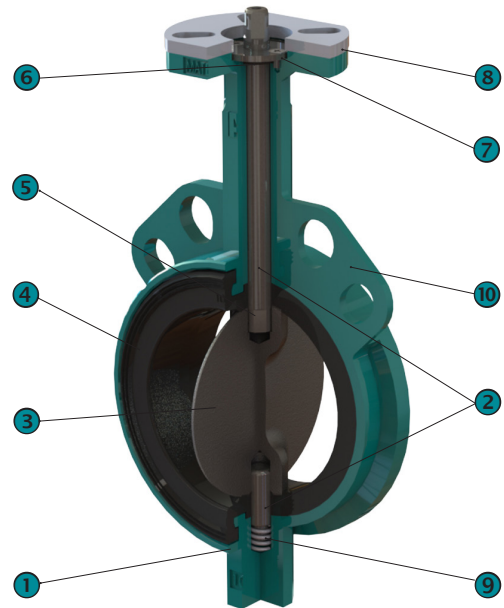


AP3  
Lug

## Construction

1	Body (extended valve neck allowing insulation)
2	Blow out proof 2 piece shaft*
3	Disc
4	Liner
5	Square driven disc
6	External shaft sealing
7	Retaining washer (blow out protection)
8	Dew point blocker
9	High performance spring**
10	Centering holes for multiple flange rating

\*One piece shaft for sizes DN25/32  
 \*\*No spring for sizes DN25/32



## Type code

AP1	100	3	3	2KR	41	4C0	EC
①	②	③	④	⑤	⑥	⑦	⑧

①	Type	AP1	Wafer	DN25-300
		AP3	Lug	DN25-300
②	Nominal diameter	25-300	mm	
③	Working pressure	2	10 bar	DN200-300
		3	16 bar	DN25-150
④	Rating	for AP1 Wafer		
		3	PN6/10/16, ANSI cl. 150	
		for AP3 Lug		
		2	PN10	AP3 Lug DN200-300
		3	PN10/16	AP3 Lug DN25-150
			PN16	AP3 Lug DN200-300
⑤	Body	2KR	Ductile iron EN-GJS-400-15 Epoxy (Resicoat®) coated 200µ	
⑥	Shaft	41	Stainless steel 1.4021 (AISI420)	
⑦	Disc	2AR	Ductile iron EN-GJS-400-15 Epoxy coated	
		4C0	Stainless steel 1.4408 ≈ CF8M	
⑧	Liner	EC	EPDM HT (-20°C ... 130°C)	

## Kv values m³/h

	opening angle of the valve										
DN	25/32	40	50	65	80	100	125	150	200	250	300
90°	40	50	100	210	360	650	1050	1620	2800	4480	6800

$$c_v = k_v \cdot 1,16$$

## Dimensions

### Wafer

DN 25-32



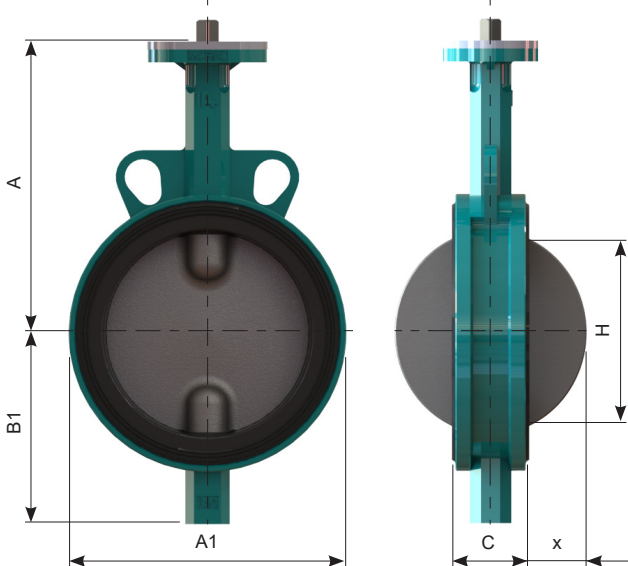
DN 40-50



DN 65-100



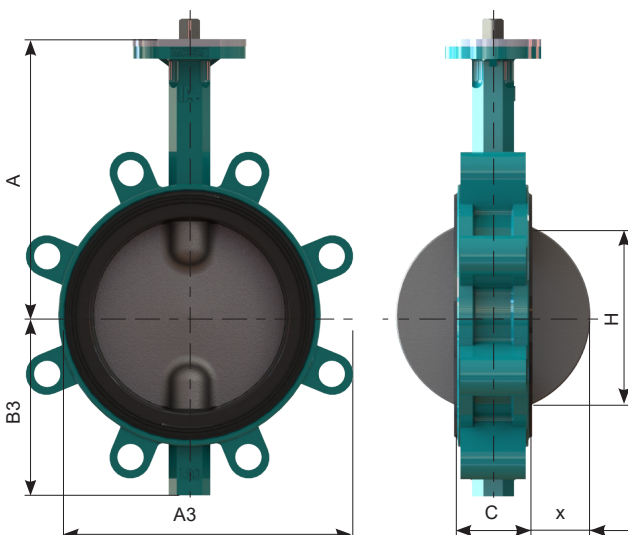
DN 125-300



DN	A	B1	C	A1	H*	x*	[kg]
(25)32	110	51	30	101	19	3	1,0
40	130	55	33	108	28	6	1,3
50	135	72	43	120	32	6	1,8
65	150	82	46	138	50	11	2,3
80	160	92	46	142	69	19	2,3
100	180	110	52	162	88	26	3,9
125	195	128	56	181	115	36	5,0
150	210	141	56	205	141	48	5,9
200	240	174	60	260	194	72	9,3
250	279	201	68	310	240	91	17,0
300	315	234	78	362	290	112	23,7

### Lug

DN 25-300

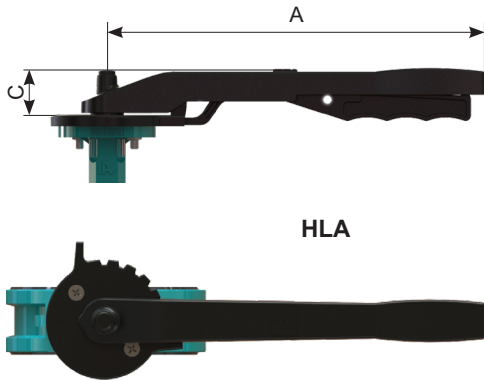


DN	A	B3	C	A3	H*	x*	[kg]
25	110	51	30	101	19	3	1,5
32	110	51	30	101	19	3	1,5
40	130	54	33	108	28	6	1,9
50	135	72	43	116	32	6	2,4
65	150	82	46	131	50	11	4,8
80	160	88	46	188	69	19	4
100	180	102	52	219	88	26	6,2
125	195	116	56	248	115	36	7,7
150	210	128	56	274	141	48	8,4
200	240	161	60	332	194	72	16,6
250	279	199	68	402	240	91	23,5
300	315	234	78	472	290	112	32,4

DN25/32 sizes have a single piece passing shaft so the sketch differs

## Dimensions

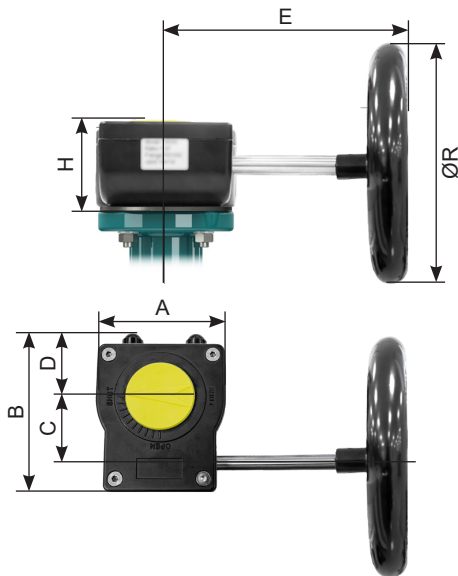
### Handlever



Aluminium, Epoxy coated

DN	Handlever type	A	C	[kg]
25-40	HLA.F0508.180-V2	180	41	0.4
50-65	HLA.F0511.180-V2	180	41	0.4
80	HLA.F0511.240-V2	243	43	0.5
100	HLA.F0711.240-V2	243	43	0.5
125-150	HLA.F0714.340-V2	340	51	0.6
200	HLA.F0717.340-V2	340	51	0.6

### Gearbox



Aluminium, Polyurethane coated

DN		A	B	C	D	E	H	ØR	n*	[kg]
25 -40	GBAB-01.F05-F0708.140	80	115	42,5	51	165	53	140	11	1,2
50 -100	GBAB-01.F05-F0711.140	80	115	42,5	51	165	53	140	11	1,2
125 -150	GBAB-01.F05-F0714.140	80	115	42,5	51	165	53	140	11	1,2
200	GBAB-02.F0717.200	100	120	50	58	170	59	200	11	2
250-300	GBAB-03.F07-F1022.250	120	130	60	65	205	59	250	10	2,5

\* n = Handwheel turns ON/OFF

## Further documentation

**Pneumatic actuators, Electric actuators, Accessories** according separate data sheets.  
**Installation guide, Maintenance guide, Flanges:** Please consult these guides for the installation and maintenance of our butterfly valves.

