

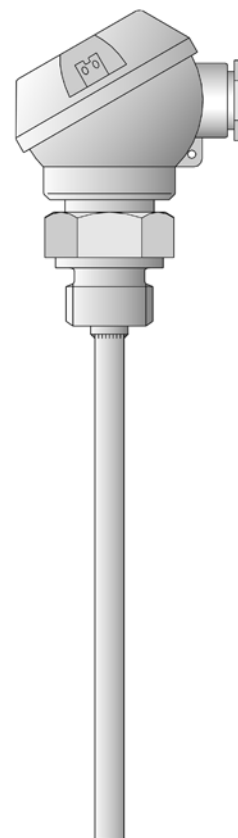


Screw-in resistance thermometers with terminal head Form J

- for temperatures from -50 to +400°C
- as single or twin resistance thermometer
- available with transmitter

Screw-in resistance thermometers are preferred for measuring temperatures in liquids and gases. An important selection criterion is their reliable sealing against both positive and negative pressures. Applications include HVAC and refrigeration, as well as heating installations, ovens, furnaces and plant engineering.

The measuring insert is normally fitted with a Pt100 temperature sensor to EN 60 751, Class B in 2-wire circuit. Versions with Pt500 or Pt1000 are also available. There is a choice of 3-wire and 4-wire circuit connections. A transmitter can optionally be integrated into the terminal head.



Technical data

Terminal head

Form J, aluminium die-casting, M 16x1.5; IP54, ambient temperature -40 to +100°C
Caution: reduced ambient temperature when using transmitters (see Data Sheet 95.6530)
thread, stainless steel 1.4571

Process connection

stainless steel 1.4571, 7mm and 8mm dia.

Protection tube

Measuring insert

Pt100 temperature sensor, EN 60 751, Cl. B, 2-wire circuit

Response times

$t_{0.9} = 14\text{sec}$, in water 0.2m/sec, 7mm dia.

Transmitter

analog transmitter, output 4 - 20mA, see Data Sheet 95.6530

Accessories

pocket, see Data Sheet 90.9721

JUMO GmbH & Co. KG

Delivery address: Mackenrodtstraße 14,
36039 Fulda, Germany
Postal address: 36035 Fulda, Germany
Phone: +49 661 6003-0
Fax: +49 661 6003-607
e-mail: mail@jumo.net
Internet: www.jumo.net

JUMO Instrument Co. Ltd.

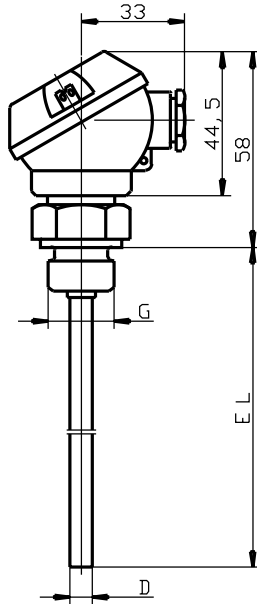
JUMO House
Temple Bank, Riverway
Harlow, Essex CM 20 2TT, UK
Phone: +44 1279 635533
Fax: +44 1279 635262
e-mail: sales@jumo.co.uk
Internet: www.jumo.co.uk

JUMO PROCESS CONTROL INC.

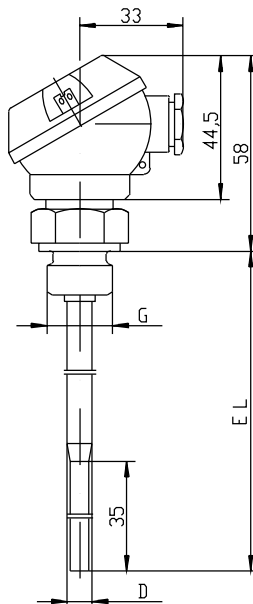
885 Fox Chase, Suite 103
Coatesville PA 19320, USA
Phone: 610-380-8002
1-800-554-JUMO
Fax: 610-380-8009
e-mail: info@JumoUSA.com
Internet: www.JumoUSA.com



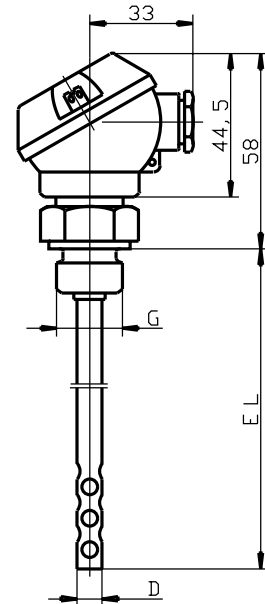
Dimensions



Type 902003/10



Type 902003/11



Type 902003/30

Delivery address: Mackenrodtstraße 14,
36039 Fulda, Germany
Postal address: 36035 Fulda, Germany
Phone: +49 661 6003-0
Fax: +49 661 6003-607
e-mail: mail@jumo.net
Internet: www.jumo.net

JUMO House
Temple Bank, Riverway
Harlow, Essex CM 20 2TT, UK
Phone: +44 1279 635533
Fax: +44 1279 635262
e-mail: sales@jumo.co.uk
Internet: www.jumo.co.uk

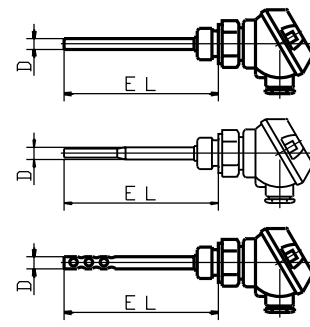
885 Fox Chase, Suite 103
Coatesville PA 19320, USA
Phone: 610-380-8002
1-800-554-JUMO
Fax: 610-380-8009
e-mail: info@JumoUSA.com
Internet: www.JumoUSA.com



Order details: Screw-in resistance thermometers with terminal head Form J

(1) Basic version

	902003/10	Screw-in resistance thermometer with continuous protection tube
	902003/11	Screw-in resistance thermometer with stepped protection tube
	902003/30	Screw-in resistance thermometer with perforated protection tube
	(2) Operating temperature in °C	
	x	380 -50 to +200°C
x	x	402 -50 to +400°C
	(3) Measuring insert	
x	x	1001 1 x Pt100 in 3-wire circuit
x	x	1003 1 x Pt100 in 2-wire circuit
x	x	1011 1 x Pt100 in 4-wire circuit
x	x	2003 2 x Pt100 in 2-wire circuit
	(4) Tolerance class to EN 60 751	
x	x	1 Class B (standard)
x	x	2 Class A
	(5) Protection tube diameter D in mm	
x		7 7mm
	x	8 8mm stepped down to 6mm
		8 8mm
	(6) Fitting length EL in mm (100 ≤ EL ≤ 1000, EL ≥ 50 for type 902003/10)	
x		50 50mm
x	x	100 100mm
x	x	150 150mm
x	x	250 250mm
x	x	... please specify in plain text (50mm steps)
	(7) Process connection	
x	x	103 thread 3/8" pipe
x	x	104 thread 1/2" pipe
	(8) Extra codes	
x	x	000 no extra code
x	x	330 1 x analog transmitter, output 4 - 20mA, see Data Sheet 95.6530 (please specify range in plain text)



Order code	(1)	(2)	(3)	(4)	(5)	(6)	(7)	(8)
Order example	902003/10	- 402	- 1001	- 1	- 7	- 100	- 104	/ 000

JUMO GmbH & Co. KG

Delivery address: Mackenrodtstraße 14,
36039 Fulda, Germany
Postal address: 36035 Fulda, Germany
Phone: +49 661 6003-0
Fax: +49 661 6003-607
e-mail: mail@jumo.net
Internet: www.jumo.net

JUMO Instrument Co. Ltd.

JUMO House
Temple Bank, Riverway
Harlow, Essex CM 20 2TT, UK
Phone: +44 1279 635533
Fax: +44 1279 635262
e-mail: sales@jumo.co.uk
Internet: www.jumo.co.uk

JUMO PROCESS CONTROL INC.

885 Fox Chase, Suite 103
Coatesville PA 19320, USA
Phone: 610-380-8002
1-800-554-JUMO
Fax: 610-380-8009
e-mail: info@JumoUSA.com
Internet: www.JumoUSA.com

**Stock versions:**

(1)	(2)	(3)	(4)	(5)	(6)	(7)	(8)	Sales No.
902003/10	- 402	- 1003	- 1	- 7	- 50	- 104	/ 000	90/00055689
902003/10	- 402	- 1003	- 1	- 7	- 100	- 104	/ 000	90/00055690
902003/10	- 402	- 1003	- 1	- 7	- 150	- 104	/ 000	90/00055691
902003/10	- 402	- 1003	- 1	- 7	- 250	- 104	/ 000	90/00064839
902003/10	- 402	- 2003	- 1	- 7	- 50	- 104	/ 000	90/00064777
902003/10	- 402	- 2003	- 1	- 7	- 100	- 104	/ 000	90/00055695
902003/10	- 402	- 2003	- 1	- 7	- 150	- 104	/ 000	90/00064778
902003/10	- 402	- 1003	- 1	- 7	- 50	- 103	/ 000	90/00055700
902003/10	- 402	- 1003	- 1	- 7	- 100	- 103	/ 000	90/00055701
902003/10	- 402	- 1003	- 1	- 7	- 100	- 104	/ 330 (-40 to +60°C)	90/00089239
902003/10	- 402	- 1003	- 1	- 7	- 100	- 104	/ 330 (0 to 100°C)	90/00088375
902003/10	- 402	- 1003	- 1	- 7	- 150	- 104	/ 330 (-40 to +60°C)	90/00089244
902003/10	- 402	- 1003	- 1	- 7	- 150	- 104	/ 330 (0 to 100°C)	90/00088279
902003/10	- 402	- 1003	- 1	- 7	- 250	- 104	/ 330 (0 to 100°C)	90/00089251
902003/30	- 380	- 1003	- 1	- 8	- 75	- 104	/ 000	90/00055707
902003/30	- 380	- 1003	- 1	- 8	- 100	- 104	/ 000	90/00055708
902003/30	- 380	- 1003	- 1	- 8	- 150	- 104	/ 000	90/00055709
902003/30	- 380	- 2003	- 1	- 8	- 150	- 104	/ 000	90/00065727