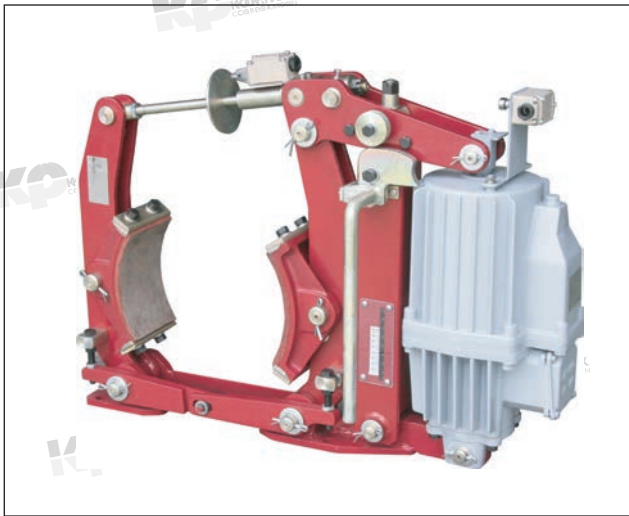


Drum Brakes Series

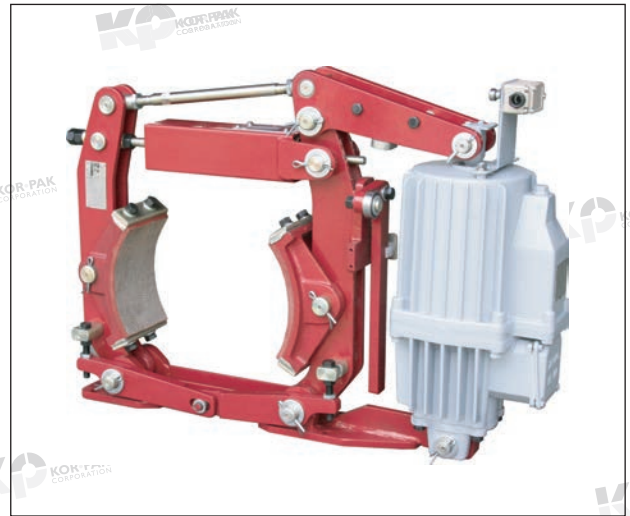
YW Series Electro-hydraulic Drum Brakes

Application:

Electro-hydraulic drum brakes can be used extensively for the deceleration of various industrial applications such as Port Handling, Hoisting, Mining and Metals Processing, Movable Bridges, Conveyors, and various others.



YW.YWB.YWZ5.YWZE.YWZ6.YWZF Series



YWZ2.YWZ4.YWZB.YWZD Series

Main Design Features:

- Interlocking shoe clearance balancing device (patented technology) and shoe automatic self-adjusting device to perpetually equalize brake shoe gap clearance and makes brake adjustment unnecessary. This allows for lining wear compensation and minimizes the frequency of having to replace linings.
- Scalable torque tube makes braking torque visual and quantifiable and allows the end user to adjust torque to their desired amount.
- Non-asbestos rigid molded friction linings are standard, bonded and/or riveted for robust braking.
- Various thruster sizes and strokes are available

Drum Brakes Series

Standards compliant:

- The dimensions and technology requirements of YW,YWB series brakes comply with JB/T6406-2006 standard, braking torque parameters comply with DIN15435 standard;
YW series brakes are equipped with YTD series thrusters which comply with JB/T10603-2006 standard.
YWB series brakes are equipped with YTD series thrusters which comply with DIN15430 standard.
This series brakes is mainly used for new design and new main machines.
- The dimensions and braking torque parameters of YWZ5,YWZE series brakes comply with GB6333-86 standard, technology requirements comply with JB/T6406-2006 standard;
YWZ5 series brakes are equipped with YTD series thrusters which comply with JB/T10603-2006 standard.
YWZE series brakes are equipped with Ed series thrusters which comply with DIN15430 standard.
- The dimensions and braking torque parameters of YWZ6,YWZF series brakes comply with JB/ZQ4388-86 standard, technology requirements comply with JB/T6406-2006 standard;
YWZ6 series brakes are equipped with YTD series thrusters which comply with JB/T10603-2006 standard.
YWZF series brakes are equipped with Ed series thrusters which comply with DIN15430 standard.this series brakes is mainly used for taking replace of old products of YWZ,JCZ,JWZ and TJ2series.
- The dimensions and braking torque parameters of YWZ2,YWZB series brakes comply with JB/ZQ4388-86 standard, technology requirements comply with JB/T6406-2006 standard;
YWZ2 series brakes are equipped with MYT2 series thrusters.
YWZB series brakes are equipped with YTD series thrusters which comply with JB/T10603-2006 standard.
This series brakes is mainly used for taking replace of old products of YWZ,JCZ,JWZ and TJ2 series.
- The dimensions and braking torque parameters of YWZ4,YWZD series brakes comply with GB6333-86 standard, technology requirements comply with JB/T6406-2006 standard;
YWZ4 series brakes are equipped with YTD series thrusters which comply with JB/T10603-2006 standard.
YWZD series brakes are equipped with Ed series thrusters which comply with DIN15430 standard.
This series brakes is mainly used for taking replace of old products of YWZ3 and YWZ series.

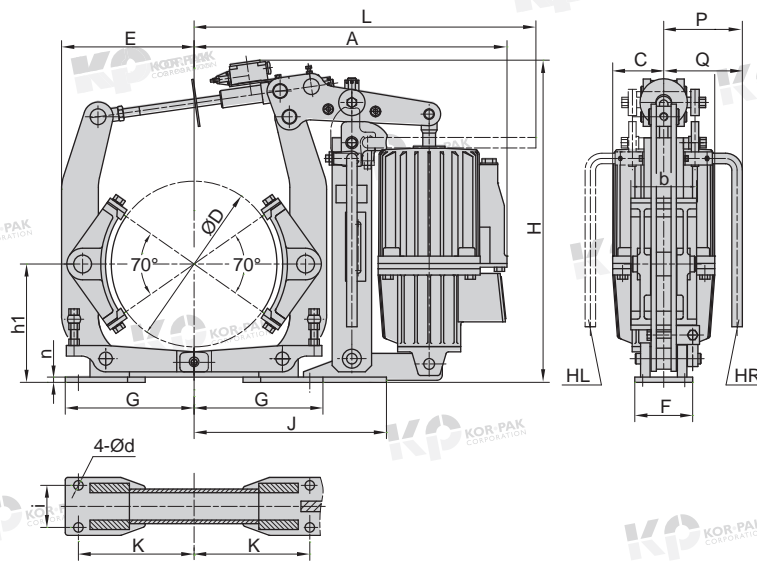
Additional option:

- Open(Release) or close (set) limit-switch, which indicates whether the brake is properly released or closed.
- YW.YWB.YWZ5.YWZE.YWZ6.YWZF and YWH series brakes with self-adjust mechanisms for lining wear compensation.
- Lining-wear limit-switch to signal when linings need replacement.
- Lowering Valve available which creates a time delay for the thruster to set.

Operating conditions

- Ambient temperature:-25~+50 .
- Relative humidity: ≤90%.
- Voltages:380~400V 50Hz 440~460V 60Hz
- Operating duty: intermittent (S3-60%.1200 times per hour) and continuous (S1).
Special requirements can be discussed in order.

Outline and installation dimensions

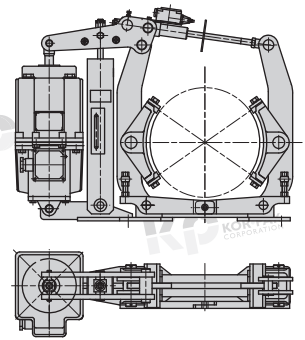
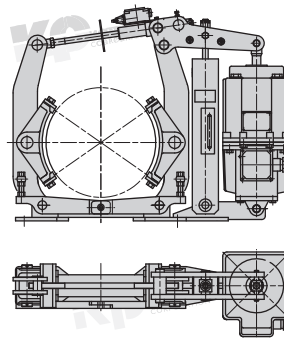
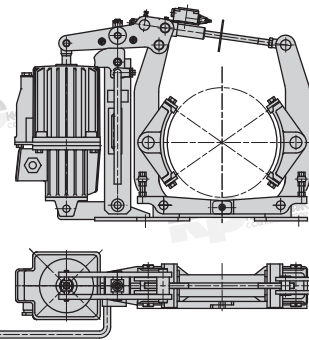
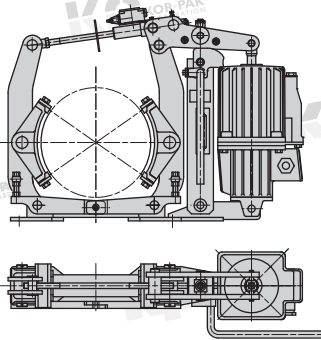


Installation of I A


Installation of II A

Installation of I B

Installation of II B



Drum Brakes Series


	<h2 style="margin:0;">YW.YWB Series</h2> <h3 style="margin:0;">Electro-hydraulic drum brakes</h3>	<h1 style="margin:0;">04/2015</h1>
---	---	------------------------------------

YW, YWB	Dimensions and technical data
---------	-------------------------------

Brake type	Thruster type	Brake torque (Nm)	Dimensions (mm)																	Weight (kg)		
			D	h1	k	i	d	n	b	F	G	J	E	H	C	P	A		Q		L	
																		A	B			A
YW160-220 YWB160-220	YTD220-50 Ed220-50	80~160	160	132	130	55	14	6	65	90	150	210	145	430	80	135	440	405	80	115	455	25
YW200-220 YWB200-220	YTD220-50 Ed220-50	100~200	200	160	145	55	14	8	70	90	165	245	170	510	80	135	450	415	80	115	470	39
YW200-300 YWB200-300	YTD300-50 Ed300-50	140~280																				42
YW250-220 YWB250-220	YTD220-50 Ed220-50	125~250	250	190	180	65	18	10	90	100	200	275	205	525	80	135	545	510	80	115	535	47
YW250-300 YWB250-300	YTD300-50 Ed300-50	160~315																				49
YW250-500 YWB250-500	YTD500-60 Ed500-60	250~500																				61
YW315-300 YWB315-300	YTD300-50 Ed300-50	200~400	315	230	220	80	18	10	110	110	245	358	260	620	97	152	605	540	97	157	650	80
YW315-500 YWB315-500	YTD500-60 Ed500-60	315~630																				86
YW315-800 YWB315-800	YTD800-60 Ed800-60	500~1000																				88
YW400-500 YWB400-500	YTD500-60 Ed500-60	400~800	400	280	270	100	22	12	140	140	300	420	305	745	97	152	650	590	97	157	705	108
YW400-800 YWB400-800	YTD800-60 Ed800-60	630~1250																				110
YW400-1250 YWB400-1250	YTD1250-60 Ed1250-60	1000~2000																				133
YW500-800 YWB500-800	YTD800-60 Ed800-60	800~1600	500	340	325	130	22	16	180	180	365	484	370	860	97	152	780	720	97	157	785	202
YW500-1250 YWB500-1250	YTD1250-60 Ed1250-60	1250~2500																				206
YW500-2000 YWB500-2000	YTD2000-60 Ed2000-60	2000~4000																				208
YW630-1250 YWB630-1250	YTD1250-60(120) Ed1250-60(120)	1600~3150	630	420	400	170	27	20	225	220	450	590	455	1015	120	220	870	840	120	150	1055	309
YW630-2000 YWB630-2000	YTD2000-60(120) Ed2000-60(120)	2500~5000																				310
YW630-3000 YWB630-3000	YTD3000-60(120) Ed3000-60(120)	3550~7100																				315
YW710-2000 YWB710-2000	YTD2000-60(120) Ed2000-60(120)	2500~5000	710	470	450	190	27	22	255	240	500	705	520	1195	120	220	985	955	120	150	1145	468
YW710-3000 YWB710-3000	YTD3000-60(120) Ed3000-60(120)	4000~8000																				470
YW800-3000 YWB800-3000	YTD3000-60(120) Ed3000-60(120)	5000~10000	800	530	520	210	27	28	280	280	570	860	620	1330	120	220	1150	1120	120	150	1290	655

Notes: Short-stroke thrusters will be adopted for thruster 630 or above types with WC function.

Drum Brakes Series

	YWZ5.YWZE.YWZ6.YWZF Series <i>Electro-hydraulic drum brakes</i>	04/2015
---	---	----------------

YWZ5、YWZE Technical data and dimensions of YWZ5, YWZE series drum brakes

Brake type	Thruster type	Brake torque (Nm)	Dimensions(mm)																		Weight (kg)	
			D	h1	k	i	d	n	b	F	G	J	E	H	C	P	Q		A			L
																		A	B	A		B
YWZ5-160/22 YWZE-160/22	YTD220-50 Ed220-50	80-160	160	132	130	55	14	6	65	90	150	210	145	430	80	135	80	115	440	405	455	25
YWZ5-200/22 YWZE-200/22	YTD220-50 Ed220-50	100-200	200	160	145	55	14	8	80	90	165	245	170	510	80	135	80	115	450	415	470	39
YWZ5-200/30 YWZE-200/30	YTD300-50 Ed300-50	140-280																				42
YWZ5-250/30 YWZE-250/30	YTD300-50 Ed300-50	160-315	250	190	180	65	18	10	100	100	200	275	205	525	80	135	80	115	545	510	535	49
YWZ5-250/50 YWZE-250/50	YTD500-60 Ed500-60	250-500												590								97
YWZ5-315/30 YWZE-315/30	YTD300-50 Ed300-50	200-400	315	225	220	80	18	10	125	110	245	358	260	620	80	135	97	157	570	530	560	80
YWZ5-315/50 YWZE-315/50	YTD500-60 Ed500-60	315-630													97							152
YWZ5-315/80 YWZE-315/80	YTD800-60 Ed800-60	500-1000	400	280	270	100	22	12	160	140	300	420	305	745	97	152	97	157	650	590	705	108
YWZ5-400/50 YWZE-400/50	YTD500-60 Ed500-60	400-800																				780
YWZ5-400/80 YWZE-400/80	YTD800-60 Ed800-60	630-1250	500	335	325	130	22	16	200	180	365	484	370	860	120	175	120	150	770	740	955	110
YWZ5-400/125 YWZE-400/125	YTD1250-60 Ed1250-60	1000-2000																				700
YWZ5-500/80 YWZE-500/80	YTD800-60 Ed800-60	800-1600	630	425	400	170	27	20	250	220	450	590	455	1015	120	220	120	150	870	840	1055	202
YWZ5-500/125 YWZE-500/125	YTD1250-60 Ed1250-60	1250-2500																				780
YWZ5-500/200 YWZE-500/200	YTD2000-60 Ed2000-60	2000-4000	710	475	450	190	27	22	280	240	500	705	520	1195	120	220	120	150	985	955	1145	208
YWZ5-630/125 YWZE-630/125	YTD1250-60(120) Ed1250-60(120)	1600-3150																				770
YWZ5-630/200 YWZE-630/200	YTD2000-60(120) Ed2000-60(120)	2500-5000	800	530	520	210	27	28	320	280	570	860	620	1330	120	220	120	150	1150	1120	1290	310
YWZ5-630/300 YWZE-630/300	YTD3000-60(120) Ed3000-60(120)	3550-7100																				840
YWZ5-710/200 YWZE-710/200	YTD2000-60(120) Ed2000-60(120)	2500-5000	710	475	450	190	27	22	280	240	500	705	520	1195	120	220	120	150	985	955	1145	468
YWZ5-710/300 YWZE-710/300	YTD3000-60(120) Ed3000-60(120)	4000-8000																				840
YWZ5-800/300 YWZE-800/300	YTD3000-60(120) Ed3000-60(120)	5000-10000	800	530	520	210	27	28	320	280	570	860	620	1330	120	220	120	150	1150	1120	1290	655

Notes: Short-stroke thrusters will be adopted for thruster 630 or above types with WC function.

YWZ6、YWZF Technical data and dimensions of YWZ6, YWZF series drum brakes

Brake type	Thruster type	Brake torque (Nm)	Dimensions(mm)																		Weight (kg)	
			D	h1	k	i	d	n	b	F	G	J	E	H	C	P	A		Q			L
																		A	B	A		B
YWZ6-200/30 YWZF-200/30	YTD300-50 Ed300-50	140-280	200	170	175	60	17	8	90	100	210	245	170	520	80	135	450	415	80	115	470	38
YWZ6-300/30 YWZF-300/30	YTD300-50 Ed300-50	160-320	300	240	250	80	22	10	140	130	295	358	252	630	80	135	570	530	80	120	560	68
YWZ6-300/50 YWZF-300/50	YTD500-60 Ed500-60	315-630																				630
YWZ6-400/50 YWZF-400/50	YTD500-60 Ed500-60	400-800	400	320	325	130	22	12	180	180	350	420	305	785	97	152	655	595	97	157	715	108
YWZ6-400/80 YWZF-400/80	YTD800-60 Ed800-60	630-1250																				840
YWZ6-400/125 YWZF-400/125	YTD1250-60 Ed1250-60	1000-2000	500	400	380	150	22	16	200	200	405	484	370	925	120	175	770	740	120	150	955	120
YWZ6-500/80 YWZF-500/80	YTD800-60 Ed800-60	800-1600																				770
YWZ6-500/125 YWZF-500/125	YTD1250-60 Ed1250-60	1250-2500	600	475	475	170	26	20	240	220	500	642	460	1050	120	220	870	840	120	150	1055	208
YWZ6-600/200 YWZF-600/200	YTD2000-60(120) Ed2000-60(120)	2000-4000																				590
YWZ6-600/300 YWZF-600/300	YTD3000-60(120) Ed3000-60(120)	3550-7100	700	550	540	200	34	22	280	270	575	705	520	1245	120	220	985	955	120	150	1145	465
YWZ6-700/200 YWZF-700/200	YTD2000-60(120) Ed2000-60(120)	2500-5000																				840
YWZ6-700/300 YWZF-700/300	YTD3000-60(120) Ed3000-60(120)	4000-8000	800	530	520	210	27	28	320	280	570	860	620	1330	120	220	120	150	1150	1120	1290	655

Notes: Short-stroke thrusters will be adopted for thruster 600 or above types with WC function.

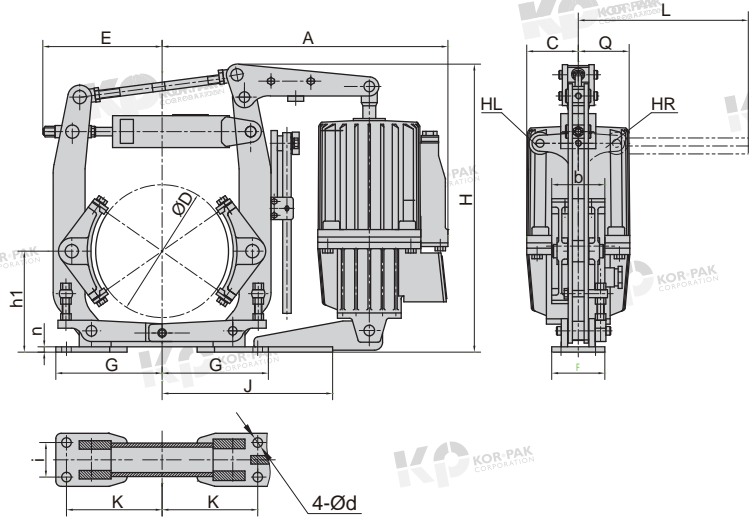
Drum Brakes Series



YWZ2.YWZ4.YWZB.YWZD Series
Electro-hydraulic drum brakes

04/2015

Outline and installation dimensions

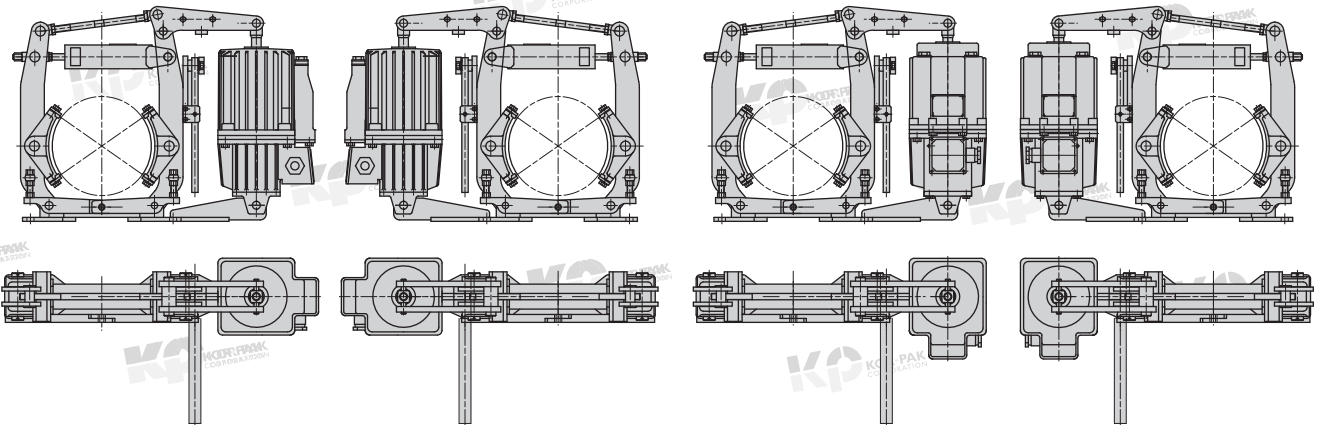


Installation of I A


Installation of II A

Installation of I B

Installation of II B



Drum Brakes Series

	YWZ2.YWZ4 Series <i>Electro-hydraulic drum brakes</i>	04/2015
---	---	----------------


Technical data and dimensions of YWZ2 series drum brakes

Brake type	Thruster type	Brake torque (Nm)	Dimensions(mm)																Weight (kg)			
			D	h1	k	i	d	n	b	F	G	J	E	H	A		Q			L	C	
			A	B	A	B	L	C	A	B	L	C	A	B	L	C						
YWZ2-100/10	MYT2-10/2.5	20-40	100	100	110	40	13	8	70	70	130	175	130	335	330	300	80	110	90	80	22	
YWZ2-200/25	MYT2-25/4	100-200	200	170	175	60	17	8	90	100	210	245	170	470	420	385	80	115	260	80	33	
YWZ2-300/25	MYT2-25/4	160-320	300	240	250	80	22	10	140	130	295	358	275	590	530	490	80	120	260	80	65	
YWZ2-300/50	MYT2-50/6	315-630												580	580	525	97	152	340	97	86	
YWZ2-400/50	MYT2-50/6	500-1000	400	320	325	130	22	12	180	180	350	420	350	745	665	600	97	162	450	97	111	
YWZ2-400/100	MYT2-100/6	800-1600												810	625	565	97	157			115	115
YWZ2-400/125	MYT2-125/6	1000-2000												810	650	620	120	150			450	120
YWZ2-500/125	MYT2-125/10	1250-2500	500	400	380	150	22	16	200	200	405	484	410	915	730	705	120	150	450	120	212	
YWZ2-600/200	MYT2-200/12	2500-5000	600	475	475	170	27	20	240	220	500	590	455	1070	840	810	120	150	450	120	309	
YWZ2-700/200	MYT2-200/12	4000-8000	700	550	540	200	34	25	280	270	575	760	550	1255	1050	1020	120	150	450	120	390	
YWZ2-800/200	MYT2-200/12	5000-10000	800	600	620	240	34	28	320	310	660	860	700	1480	1190	1160	120	150	450	120	692	
YWZ2-800/300	MYT2-300/12	6300-12500												1780	1085	1060	120	150			120	680

Technical data and dimensions of YWZ4 series drum brakes

Brake type	Thruster type	Brake torque (Nm)	Dimensions (mm)																Weight (kg)										
			D	h1	k	i	d	n	b	F	G	J	E	H	A		Q			L	C								
			A	B	A	B	L	C	A	B	L	C	A	B	L	C													
YWZ4-160/22	YTD220-50	80-160	160	132	130	55	14	6	65	90	150	210	165	390	415	380	80	115	200	80	25								
YWZ4-200/22	YTD220-50	100-200	200	160	145	55	14	8	80	90	165	265	190	470	440	405	80	115	260	80	38								
YWZ4-200/30	YTD300-50	140-280																			245	115	260	80	39				
YWZ4-250/30	YTD300-50	160-315	250	190	180	65	18	10	100	100	200	275	225	500	490	455	80	115	260	80	47								
YWZ4-250/50	YTD500-60	250-500												550	540	480	97	157	320	97	61								
YWZ4-300/30	YTD300-50	160-315	300	225	220	80	18	10	125	110	245	358	275	585	570	530	80	120	260	80	74								
YWZ4-300/50	YTD500-60	250-500													590		530	97	157	340	97	86							
YWZ4-300/80	YTD800-60	500-1000													590		530	97	157	340	97	88							
YWZ4-315/30	YTD300-50	160-315	315	225	220	80	18	10	125	110	245	358	275	585	570	530	80	120	260	80	74								
YWZ4-315/50	YTD500-60	250-500													590		530	97	157	340	97	86							
YWZ4-315/80	YTD800-60	500-1000													590		530	97	157	340	97	88							
YWZ4-400/50	YTD500-60	315-630	400	280	270	100	22	12	160	140	300	420	350	705	625	565	97	157	450	97	108								
YWZ4-400/80	YTD800-60	630-1250																			350	770	610	580	120	150	120	133	
YWZ4-400/125	YTD1250-60	900-1800																			350	770	610	580	120	150	120	133	
YWZ4-500/80	YTD800-60	800-1600	500	335	325	130	22	16	200	180	365	484	395	835	740	680	97	157	450	97	202								
YWZ4-500/125	YTD1250-60	1125-2250											410	850	730	700	120	150	450	120	212								
YWZ4-500/200	YTD2000-60	1600-3150											410	850	730	700	120	150	450	120	212								
YWZ4-630/125	YTD1250-120	1400-2800	630	425	400	170	27	20	250	220	450	590	455	1020	840	810	120	150	450	120	309								
YWZ4-630/200	YTD2000-120	2250-4500																			455	1020	840	810	120	150	450	120	310
YWZ4-630/300	YTD3000-120	3550-7100																			455	1020	840	810	120	150	450	120	315
YWZ4-710/200	YTD2000-120	2500-5000	710	475	450	190	27	22	280	240	500	705	565	1170	1050	1020	120	150	450	120	455								
YWZ4-710/300	YTD3000-120	4000-8000																			460								
YWZ4-800/300	YTD3000-120	6300-12500	800	530	520	210	27	28	320	280	570	860	710	1410	1085	1060	120	150	450	120	652								

Drum Brakes Series

		YWZB.YWZD Series <i>Electro-hydraulic drum brakes</i>														04/2015											
<i>Technical data and dimensions of YWZB series drum brakes</i>																											
Brake type	Thruster type	Brake torque (Nm)	Dimensions (mm)														Weight (kg)										
			D	h1	k	i	d	n	b	F	G	J	E	H	A			Q		L	C						
															A	B	A	B	L	C							
YWZB-200/30	YTD300-50	100-200	200	170	175	60	17	8	90	100	210	245	170	470	420	385	80	115	260	80	33						
YWZB-300/30	YTD300-50	160-320	300	240	250	80	22	10	140	130	295	358	275	590	530	490	80	120	260	80	65						
YWZB-300/50	YTD500-60	315-630																				580	580	525	97	152	340
YWZB-400/50	YTD500-60	500-1000	400	320	325	130	22	12	180	180	350	420	350	745	665	600	97	162	450	97	111						
YWZB-400/80	YTD800-60	800-1600												810							810	810	120	150	450	97	115
YWZB-400/125	YTD1250-60	1000-2000												810							650	620	120	150	450	120	133
YWZB-500/125	YTD1250-60	1250-2500	500	400	380	150	22	16	200	200	405	484	410	915	730	705	120	145	450	120	212						
YWZB-600/200	YTD2000-120	2500-5000	600	475	475	170	27	20	240	220	500	590	455	1070	840	810	120	150	450	120	309						
YWZB-700/200	YTD2000-120	4000-8000	700	550	540	200	34	25	280	270	575	760	550	1255	1050	1020	120	150	450	120	375						
YWZB-800/200	YTD2000-120	5000-10000	800	600	620	240	34	28	320	310	660	860	700	1480	1190	1160	120	150	450	120	672						
YWZB-800/300	YTD3000-120	6300-12500												1780	1085	1060	120	145			662						
<i>Technical data and dimensions of YWZD series drum brakes</i>																											
Brake type	Thruster type	Brake torque (Nm)	Dimensions (mm)														Weight (kg)										
			D	h1	k	i	d	n	b	F	G	J	E	H	A			Q		L	C						
															A	B	A	B	L	C							
YWZD-160/22	Ed220-50	80-160	160	132	130	55	14	6	65	90	150	210	165	390	415	380	80	115	200	80	25						
YWZD-200/22	Ed220-50	100-200	200	160	145	55	14	8	80	90	165	265	190	470	440	405	80	115	260	80	33						
YWZD-200/30	Ed300-50	140-280													440						440	440	115	115	260	80	39
YWZD-250/30	Ed300-50	160-315	250	190	180	65	18	10	100	100	200	275	225	500	490	455	80	115	260	80	47						
YWZD-250/50	Ed500-60	250-500												550							540	480	97	157	320	97	61
YWZD-300/30	Ed300-50	160-315	300	225	220	80	18	10	125	110	245	358	275	585	570	530	97	157	340	97	74						
YWZD-300/50	Ed500-60	250-500													590						590	590	120	150	450	97	86
YWZD-300/80	Ed800-60	500-1000													590						590	590	120	150	450	97	88
YWZD-315/30	Ed300-50	160-315	315	225	220	80	18	10	125	110	245	358	275	585	570	530	97	157	340	97	74						
YWZD-315/50	Ed500-60	250-500													590						590	590	120	150	450	97	86
YWZD-315/80	Ed800-60	500-1000	590	590	590	120	150	450	97	88																	
YWZD-400/50	Ed500-60	315-630	400	280	270	100	22	12	160	140	300	420	350	705	625	565	97	157	450	97	108						
YWZD-400/80	Ed800-60	630-1250																			350	770	610	580	120	150	120
YWZD-400/125	Ed1250-60	900-1800	500	335	325	130	22	16	200	180	365	484	395	835	740	680	97	157	450	97	202						
YWZD-500/80	Ed800-60	800-1600																			410	850	730	700	120	150	120
YWZD-500/125	Ed1250-60	1125-2250	500	335	325	130	22	16	200	180	365	484	395	835	740	680	97	157	450	120	309						
YWZD-500/200	Ed2000-60	1600-3150																			410	850	730	700	120	150	120
YWZD-630/125	Ed1250-120	1400-2800	630	425	400	170	27	20	250	220	450	590	455	1020	840	800	120	150	450	120	310						
YWZD-630/200	Ed2000-120	2250-4500																			410	850	730	700	120	150	120
YWZD-630/300	Ed3000-120	3550-7100	710	475	450	190	27	22	280	240	500	705	565	1170	1050	1020	120	150	450	120	455						
YWZD-710/200	Ed2000-120	2500-5000																			410	850	730	700	120	150	120
YWZD-710/300	Ed3000-120	4000-8000	800	530	520	210	27	28	320	280	570	806	710	1410	1085	1066	120	145	450	120	652						
YWZD-800/300	Ed3000-120	6300-12500																			410	850	730	700	120	150	120