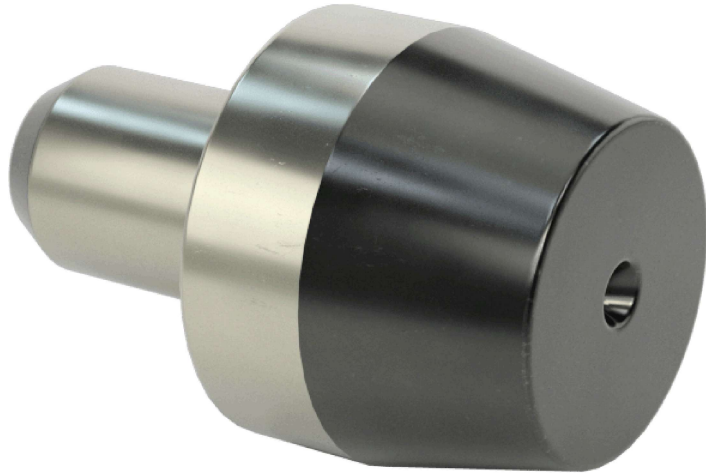


Locating Pin

16 mm Diameter x 13 mm High Round Head

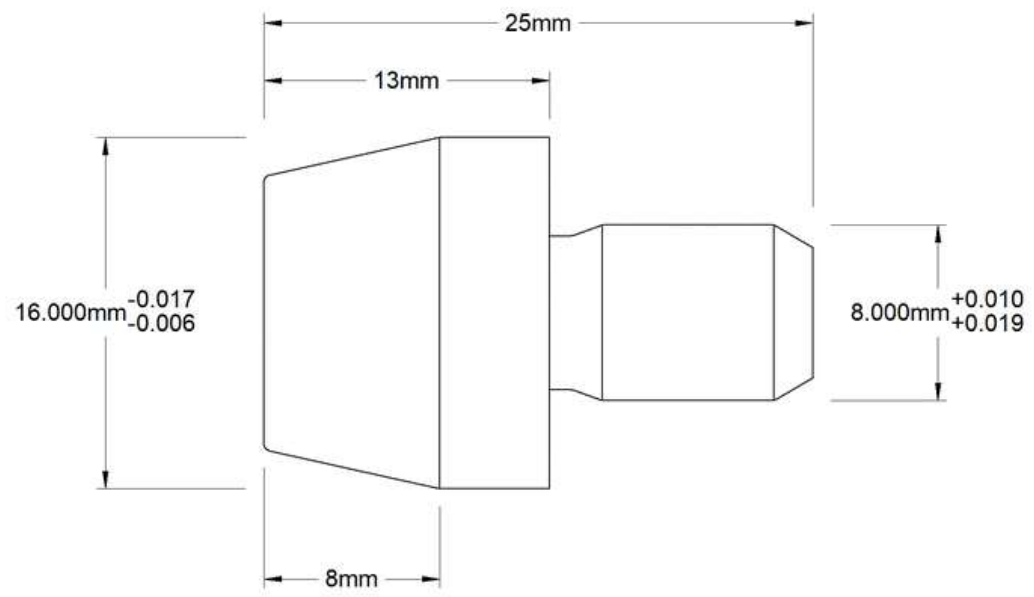



Delivers Thursday

\$8.02 each
2336A115

Material	Steel
Locating Pin Head Type	Round
Head	
Diameter (A)	16 mm
Height (B)	13 mm
End Height	8 mm
Shank Diameter (C)	8 mm
Overall Height	25 mm
Tolerance	
Head Diameter	-0.017 mm to -0.006 mm
Shank Diameter	0.01 mm to 0.019 mm
Hardness	Rockwell C54
Specifications Met	DIN 6321
Installation Permanence	Permanent
Mount Type	Press Fit
System of Measurement	Metric
Country of Origin	Germany
DFARS Compliance	Specialty Metals COTS-Exempt
Export Control Classification Number (ECCN)	EAR99
REACH Compliance	REACH (EC 1907/2006) (06/25/2025, 250 SVHC) Compliant
RoHS Compliance	RoHS 3 (2015/863/EU) Compliant
Schedule B Number	846620.8065
U.S.–Mexico–Canada Agreement (USMCA) Qualifying	No

Install these pins in a plate or table and mate with holes in a workpiece for precise alignment. Press the shank into a drilled hole for permanent installation.



McMASTER-CARR 	PART NUMBER	2336A115
http://www.mcmaster.com		Locating Pin
© 2026 McMaster-Carr Supply Company		
<small>Information in this drawing is provided for reference only.</small>		

The information in this 3-D model is provided for reference only.