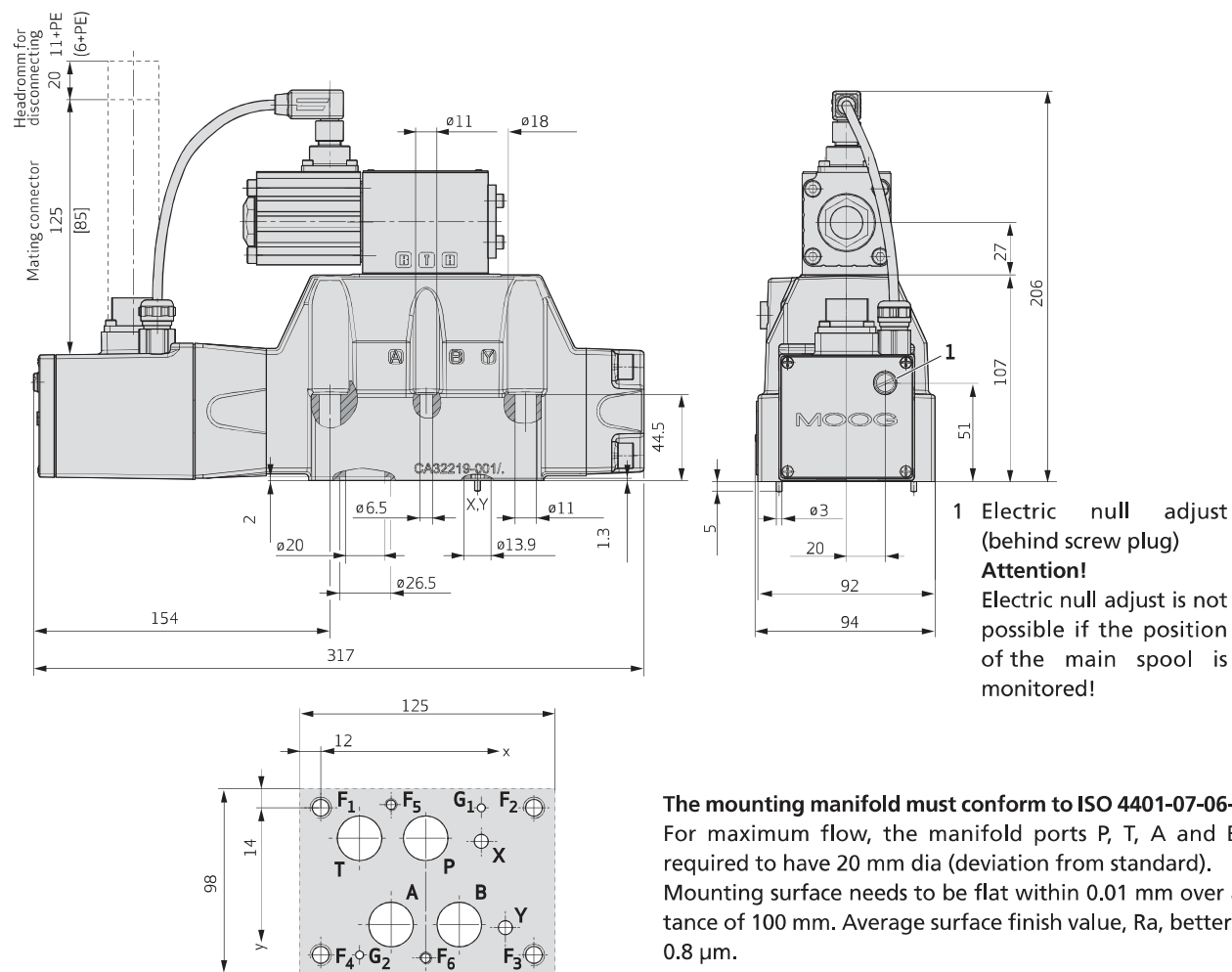


## INSTALLATION DRAWING (mm)



The mounting manifold must conform to ISO 4401-07-06-0-94. For maximum flow, the manifold ports P, T, A and B are required to have 20 mm dia (deviation from standard). Mounting surface needs to be flat within 0.01 mm over a distance of 100 mm. Average surface finish value, Ra, better than 0.8 µm.

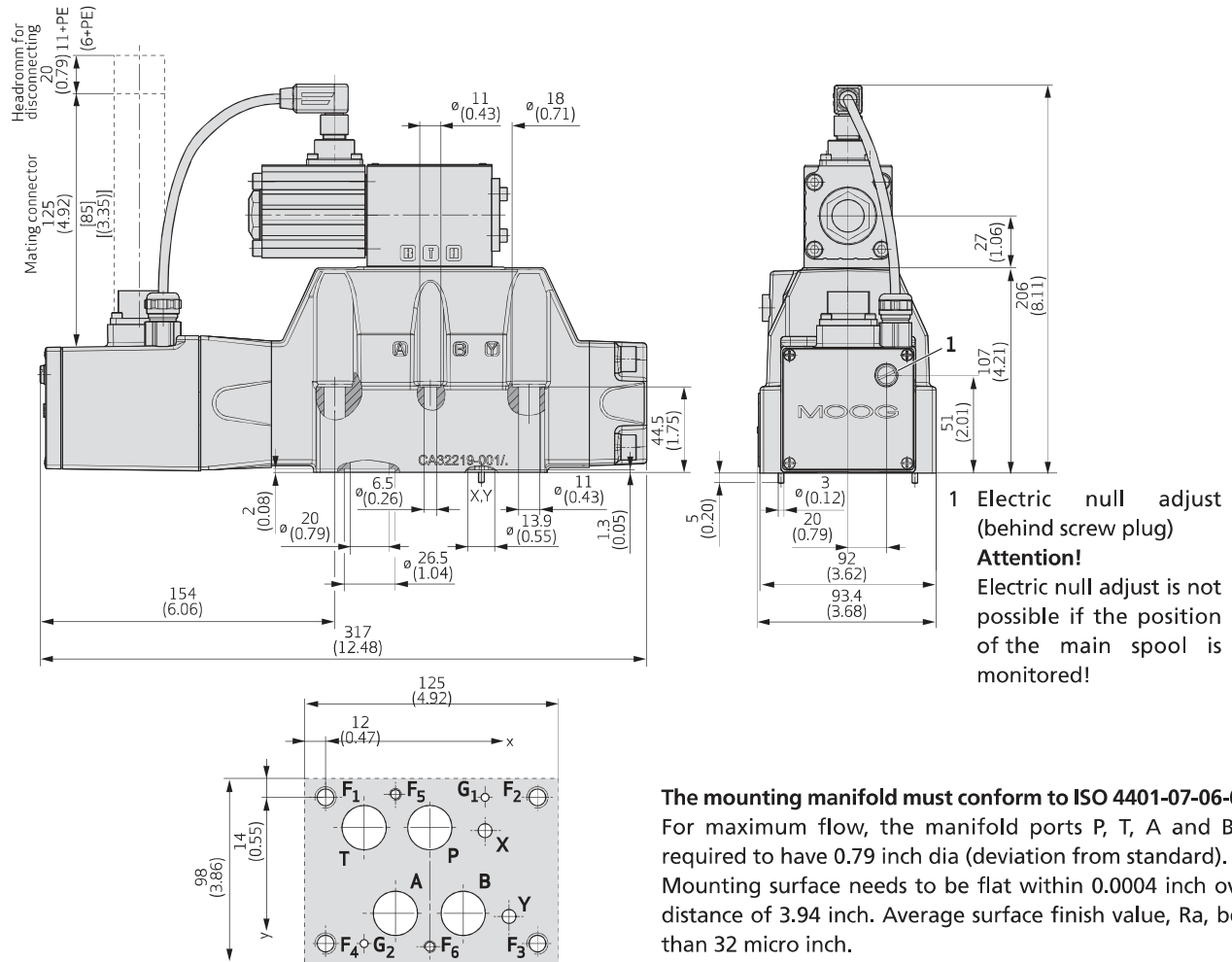
mm

|   | P    | A    | T    | B    | X    | Y    | G <sub>1</sub> | G <sub>2</sub> | F <sub>1</sub> | F <sub>2</sub> | F <sub>3</sub> | F <sub>4</sub> | F <sub>5</sub> | F <sub>6</sub> |
|---|------|------|------|------|------|------|----------------|----------------|----------------|----------------|----------------|----------------|----------------|----------------|
|   | Ø20  | Ø20  | Ø20  | Ø20  | Ø6.3 | Ø6.3 | Ø4             | Ø4             | M10            | M10            | M10            | M10            | M6             | M6             |
| x | 50   | 34.1 | 18.3 | 65.9 | 76.6 | 88.1 | 76.6           | 18.3           | 0              | 101.6          | 101.6          | 0              | 34.1           | 50             |
| y | 14.3 | 55.6 | 14.3 | 55.6 | 15.9 | 57.2 | 0              | 69.9           | 0              | 0              | 69.9           | 69.9           | -1.6           | 71.5           |

## Spare Parts and Accessories

|  |                           |                   |                            |
|--|---------------------------|-------------------|----------------------------|
| O-rings (included in delivery)                               |                           | NBR 85 Shore      | FPM 85 Shore               |
| for P, T, A, B   | 4 pieces ID 21.89 x Ø 2.6 | -45122-129        | -42082-129                 |
| for X, Y   | 2 pieces ID 10.82 x Ø 1.8 | -45122-022        | -42082-022                 |
| Mating connector, waterproof IP65 (not included in delivery) |                           | for cable dia     |                            |
| 6+PE-pole  | B97007-061                | EN175201 Part 804 | min. Ø 10 mm, max. Ø 12 mm |
| 11+PE-pole   | B97067-111                | EN175201 Part 804 | min. Ø 11 mm, max. Ø 13 mm |
| Flushing plate   | -76741                    |                   |                            |
| Mounting manifolds   | B46891-001                |                   |                            |
| Mounting bolts (not included in delivery)                    |                           | required torque   | required                   |
| M 10 x 60 DIN EN ISO 4762 -10.9                              | A03665-100-060            | 54 Nm             | 4 pieces                   |
| M 6 x 55 DIN EN ISO 4762 -10.9                               | A03665-060-055            | 11 Nm             | 2 pieces                   |
| Service Seal Kit   | B97215-                   |                   | N6x2-16 V6x2-16            |

## INSTALLATION DRAWING (inch)



inch

|   | P     | A     | T     | B     | X     | Y     | G <sub>1</sub> | G <sub>2</sub> | F <sub>1</sub> | F <sub>2</sub> | F <sub>3</sub> | F <sub>4</sub> | F <sub>5</sub> | F <sub>6</sub> |
|---|-------|-------|-------|-------|-------|-------|----------------|----------------|----------------|----------------|----------------|----------------|----------------|----------------|
|   | Ø0.79 | Ø0.79 | Ø0.79 | Ø0.79 | Ø0.25 | Ø0.25 | Ø0.16          | Ø0.16          | M10            | M10            | M10            | M10            | M6             | M6             |
| x | 1.97  | 1.34  | 0.72  | 2.59  | 3.02  | 3.47  | 3.02           | 0.72           | 0              | 4.0            | 4.0            | 0              | 1.34           | 1.97           |
| y | 0.56  | 2.19  | 0.56  | 2.19  | 0.63  | 2.25  | 0              | 2.75           | 0              | 0              | 2.75           | 2.75           | -0.06          | 2.81           |

## Spare Parts and Accessories

|  |                           |                   |                                |
|--|---------------------------|-------------------|--------------------------------|
| O-rings (included in delivery)                               |                           | NBR 85 Shore      | FPM 85 Shore                   |
| for P, T, A, B   | 4 pieces ID 0.86 x Ø 0.1  | -45122-129        | -42082-129                     |
| for X, Y   | 2 pieces ID 0.43 x Ø 0.07 | -45122-022        | -42082-022                     |
| Mating connector, waterproof IP65 (not included in delivery) |                           | for cable dia     |                                |
| 6+PE-pole  | B97007-061                | EN175201 Part 804 | min. Ø 0.39 in, max. Ø 0.47 in |
| 11+PE-pole   | B97067-111                | EN175201 Part 804 | min. Ø 0.43 in, max. Ø 0.51 in |
| Flushing plate   | -76741                    |                   |                                |
| Mounting manifolds   | B46891-001                |                   |                                |
| Mounting bolts (not included in delivery)                    |                           | required torque   | required                       |
| M 10 x 2.4 DIN EN ISO 4762 -10.9                             | A03665-100-060            | 40 ft/lbs         | 4 pieces                       |
| M 6 x 2.2 DIN EN ISO 4762 -10.9                              | A03665-060-055            | 8 ft/lbs          | 2 pieces                       |
| Service Seal Kit   | B97215-                   |                   | N6X2-16 V6X2-16                |