



RA1700 .. i



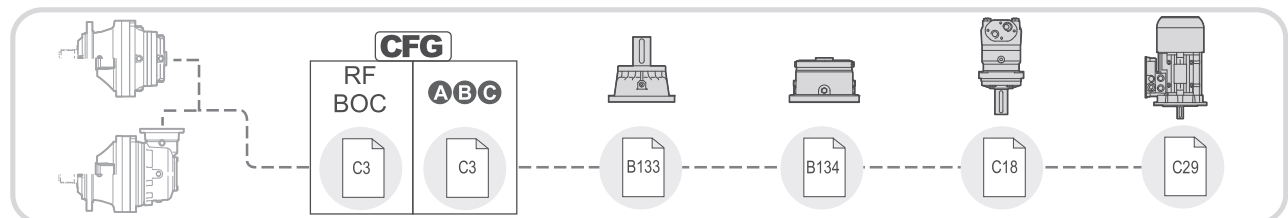
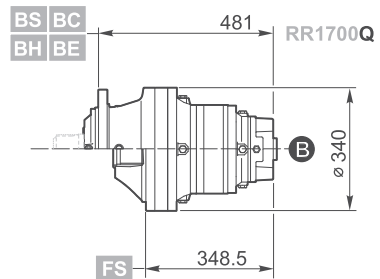
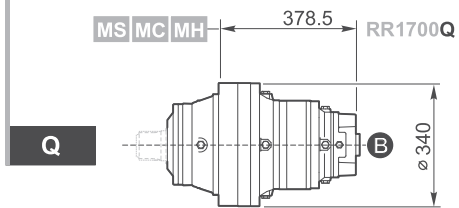
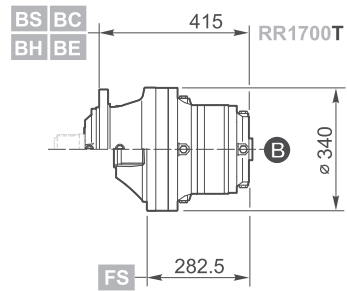
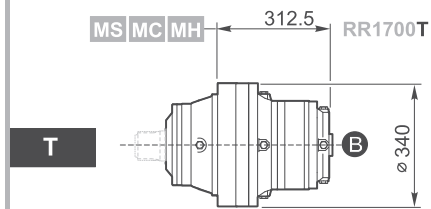
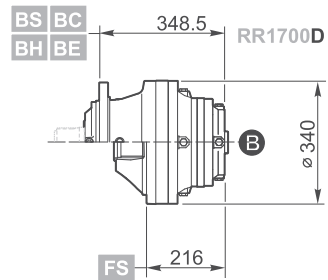
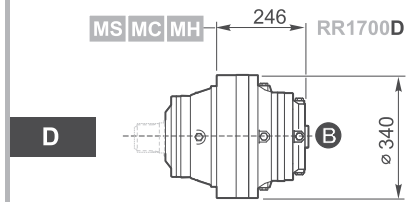
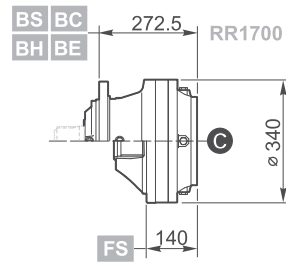
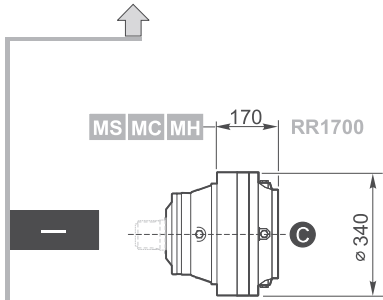
i	T ₂ [Nm]						n _{1max} [min ⁻¹]	T _{2max} [Nm]	P _t [kW]	
	n ₂ x h									
1/...	10000 (10 ⁴)	25000 (2.5 · 10 ⁴)	50000 (5 · 10 ⁴)	100000 (10 ⁵)	500000 (5 · 10 ⁵)	1000000 (10 ⁶)				
RA1700 (A)	15.60	6510	5930	5230	4960	3800	3500	26500	38.4 (M...) 53.8 (UC) 27.1 (FS)	
	17.64	7350	6560	5830	5560	4140				
	20.56	8540	7440	6720	6420	4610				
	25.08	10320	8750	8090	7720	5300				
	(B)	10.64	23860	22960	19630	15940	9840	2500	26500	46.2 (M...) 61.6 (UC) 35 (FS)
		12.03	22700	21390	20470	17380	10720			
		14.02	19910	16560	14410	13250	11940			
		17.10	16730	13910	12100	11510	10430			
RA1700D	35.70	20320	19620	18460	14990	9250	3500	26500	27.4 (M...) 37.8 (UC) 19.9 (FS)	
	40.38	22700	21390	20120	16340	10080				
	53.04	18590	16620	15850	14140	8730				
	62.40	21250	18120	17370	15850	9780				
	70.56	22700	20350	19500	17280	10660				
	88.20	17420	15550	14900	14280	12460				
	100.32	16730	13910	12100	11510	10430				
	125.40	16730	13910	12100	11510	10430				
	175.56	16390	13910	12100	11510	10430				
	RA1700T	200.93	21370	18120	17370	14910				9200
251.16		21370	18120	17370	16650	10760				
291.35		21370	18120	17370	16650	11840				
351.62		20770	18120	17370	16650	11840				
439.53		15760	13850	13270	12720	11520				
565.30		16730	13910	12100	11510	10430				
706.63		16730	13910	12100	11510	10430				
819.69		16730	13910	12100	11510	10430				
989.28		16390	13910	12100	11510	10430				
1054.22		15330	14010	13420	12870	11660				
1125.20		10720	9920	9500	9110	8250				
1272.34		11850	11130	10670	10230	9260				
1482.95		13600	12860	12320	11810	10700				
1808.97		16390	13910	12100	11510	10430				



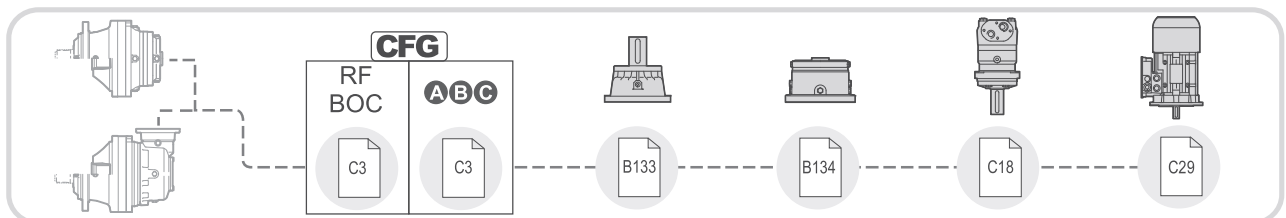
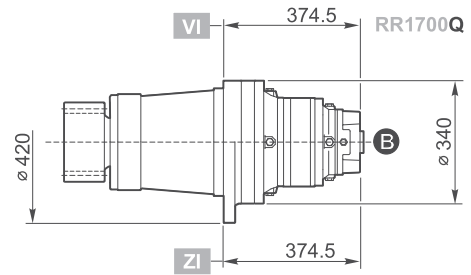
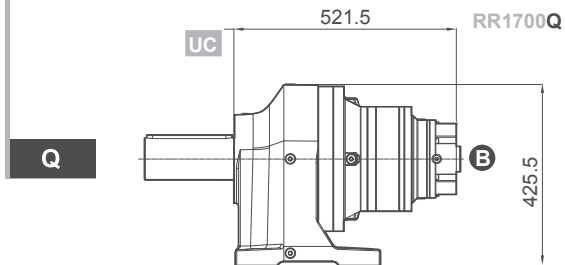
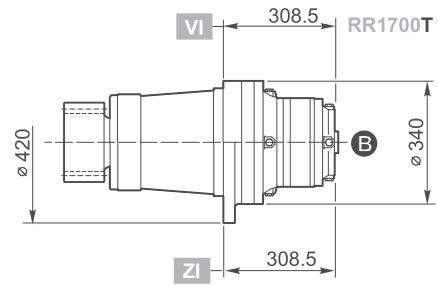
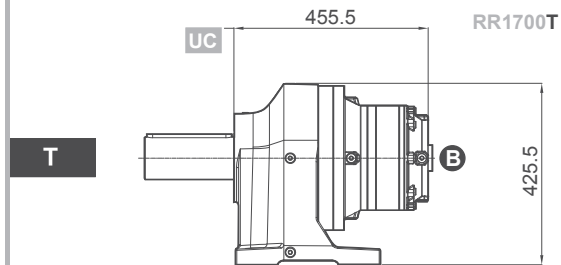
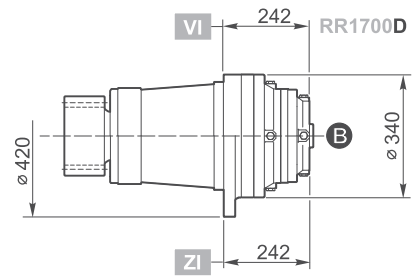
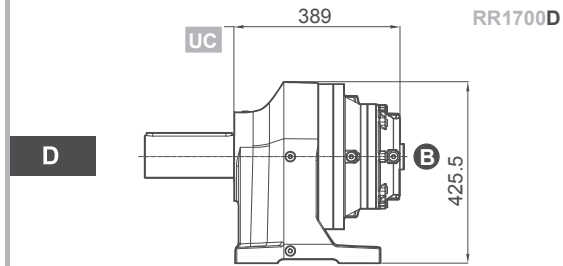
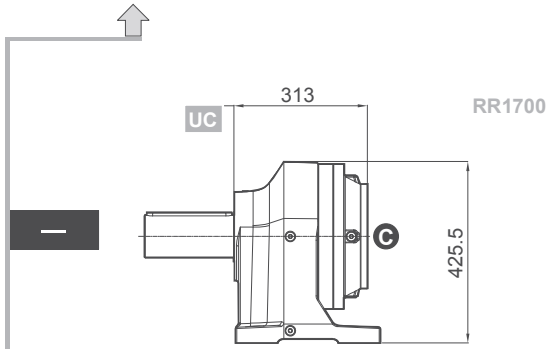
1700

IT EN DE FR ES PT

RR1700 .. i ..



RR1700 .. i ..

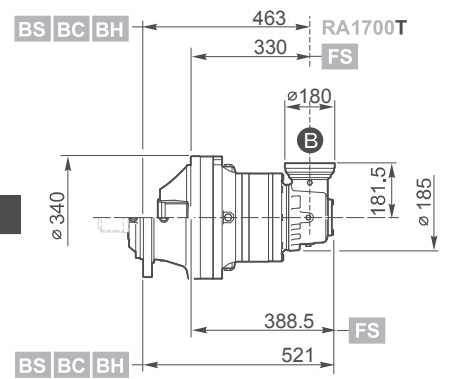
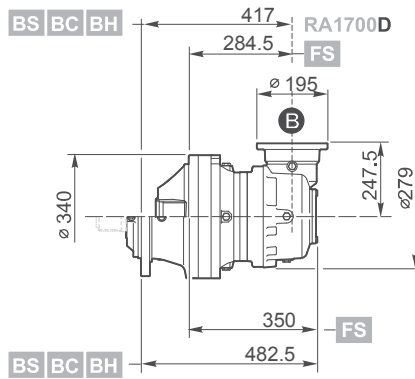
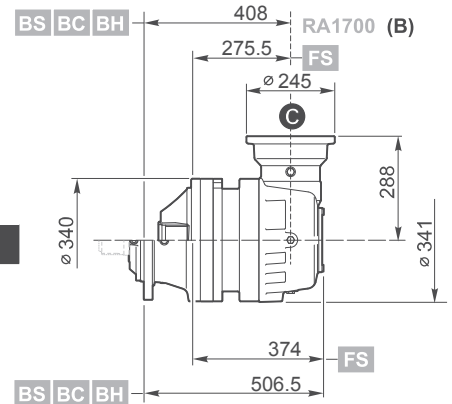
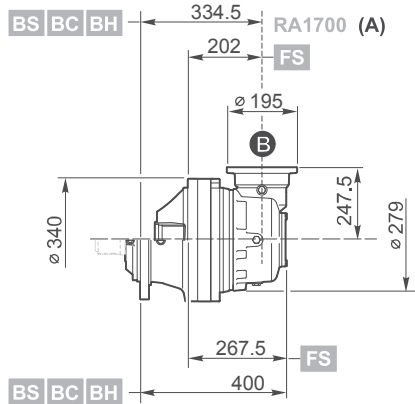




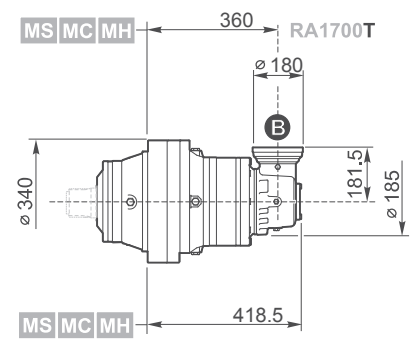
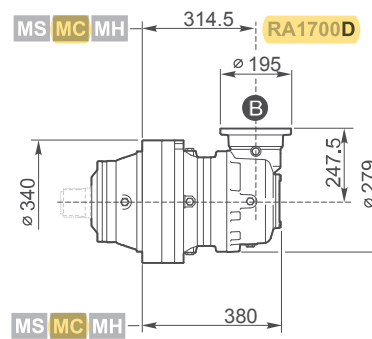
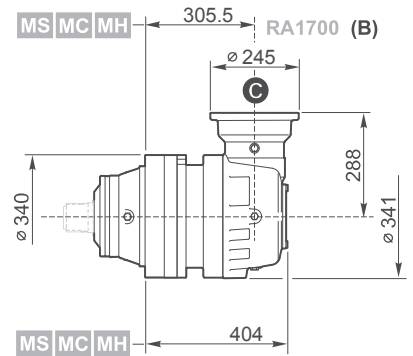
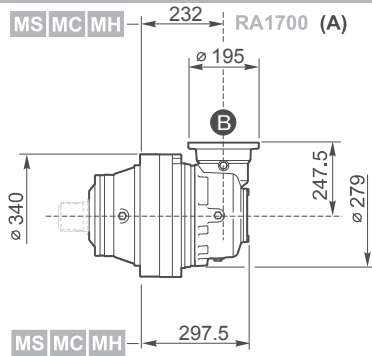
1700

IT EN DE FR ES PT

RA1700 .. i B.. FS

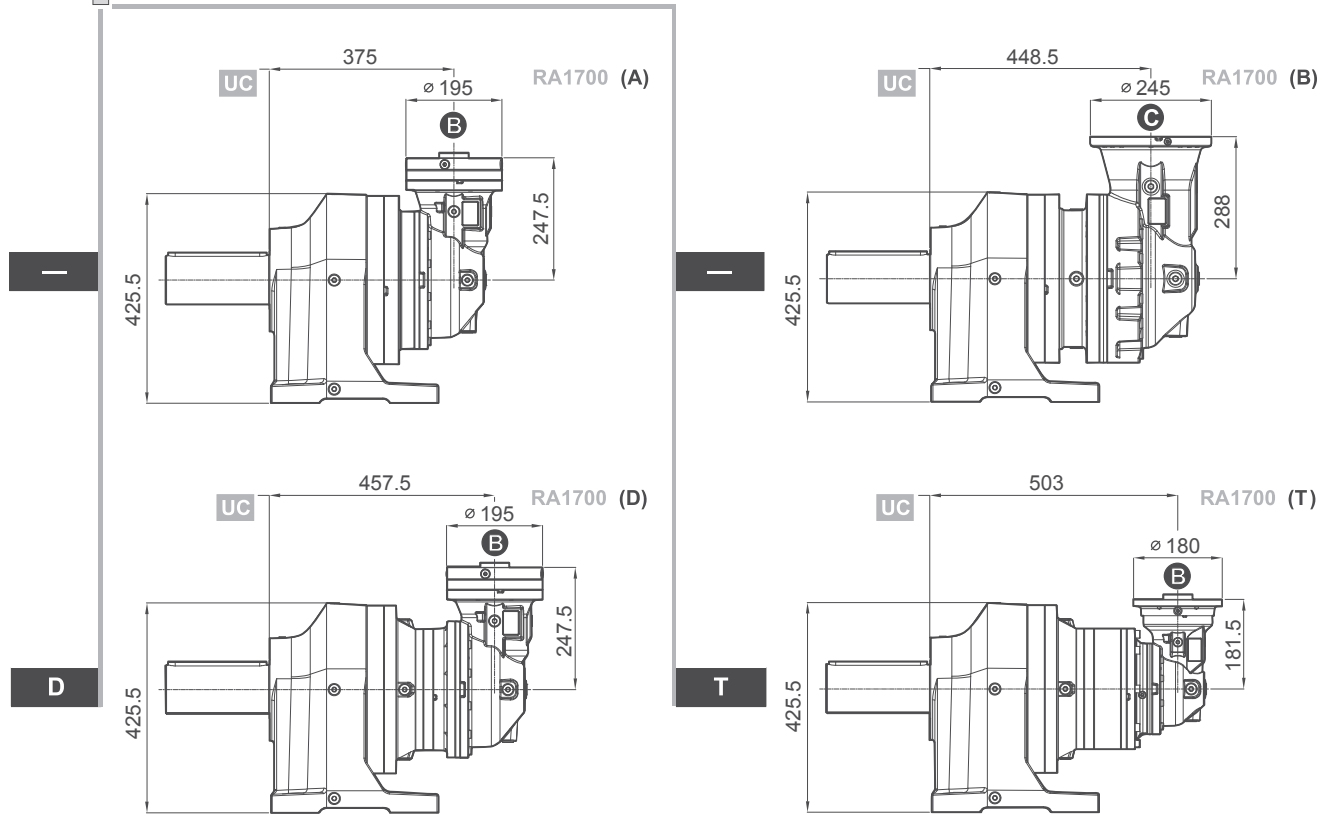


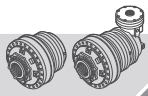
RA1700 .. i M





RA1700 .. i UC






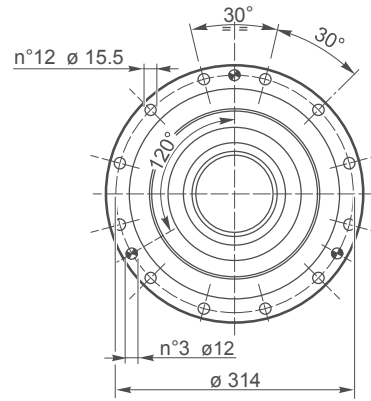
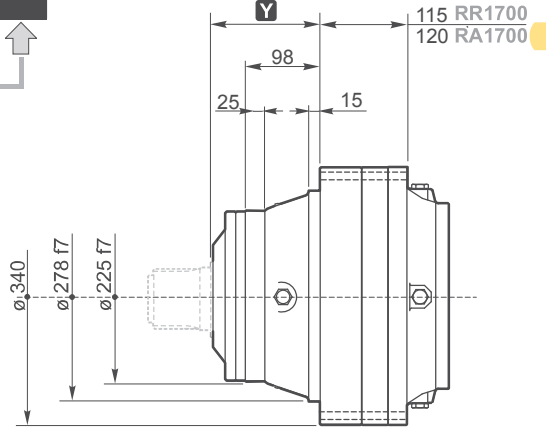






1700

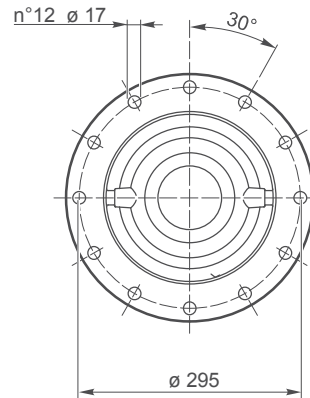
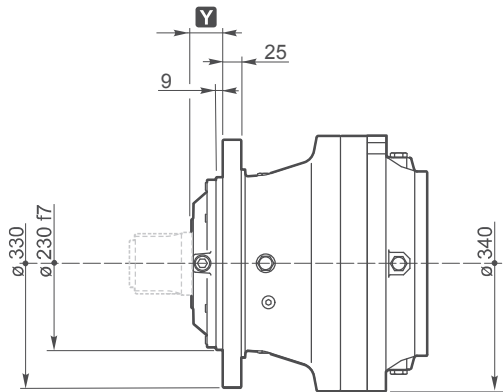
IT EN DE FR ES PT

RR1700	..	i	..
RA1700			

- MS** 
- MC** 
- MH** 



- BS** 
- BC** 
- BH** 
- BE** 



- UC** 

