

S10F/C10F wafer type ball valve PN16-PN40



Description

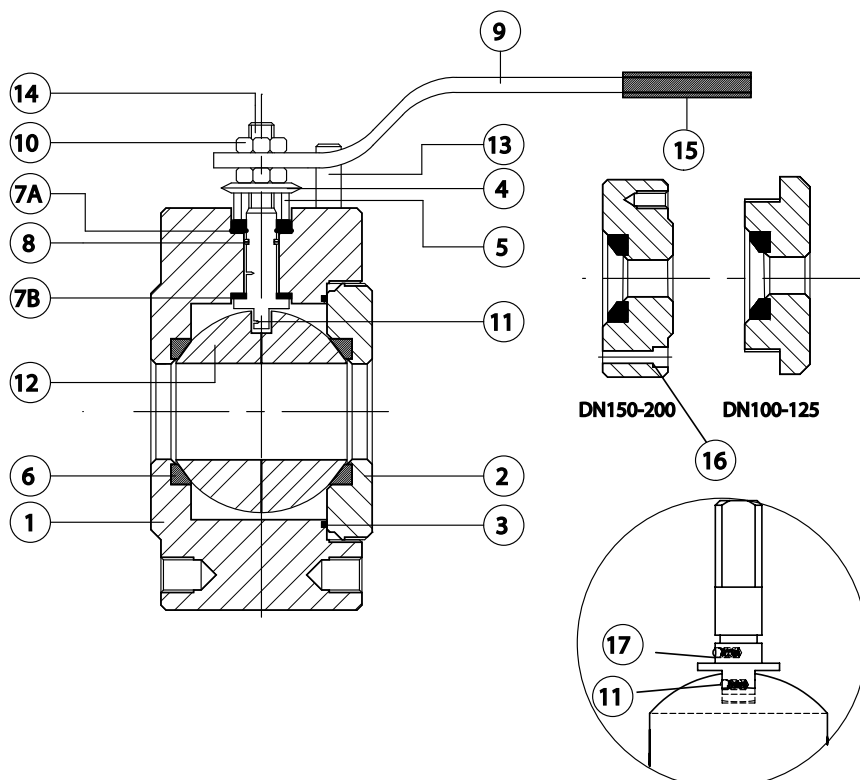
- 2-way wafer type ball valve flange connection PN16-PN40
- Full bore
- Body SS316 or Carbon steel, ball and stem SS316 or 304
- ISO 5211 pattern for mounting pneumatic or electric actuators
- Seats and Seals PTFE
- Pressure class PN16 and/or PN40, flanged RF DIN2501
- Blow-out proof stem
- Suitable for vacuum
- Anti-static
- Temperature -30° C up to 180° C.

Options:

- Automatic electric or pneumatic actuation
- Stem extension
- Endswitches
- Fire safe version, Oxygen cleaned, Heating Jacket, Thru going holes
- Peek, RPTFE, TFM, Integral, PTFE RVS filled seats
- Pressure classes ANSI150-300-600 and PN63-100 on request
- Special materials as Inconel, SS316ti, Hastelloy etc on request

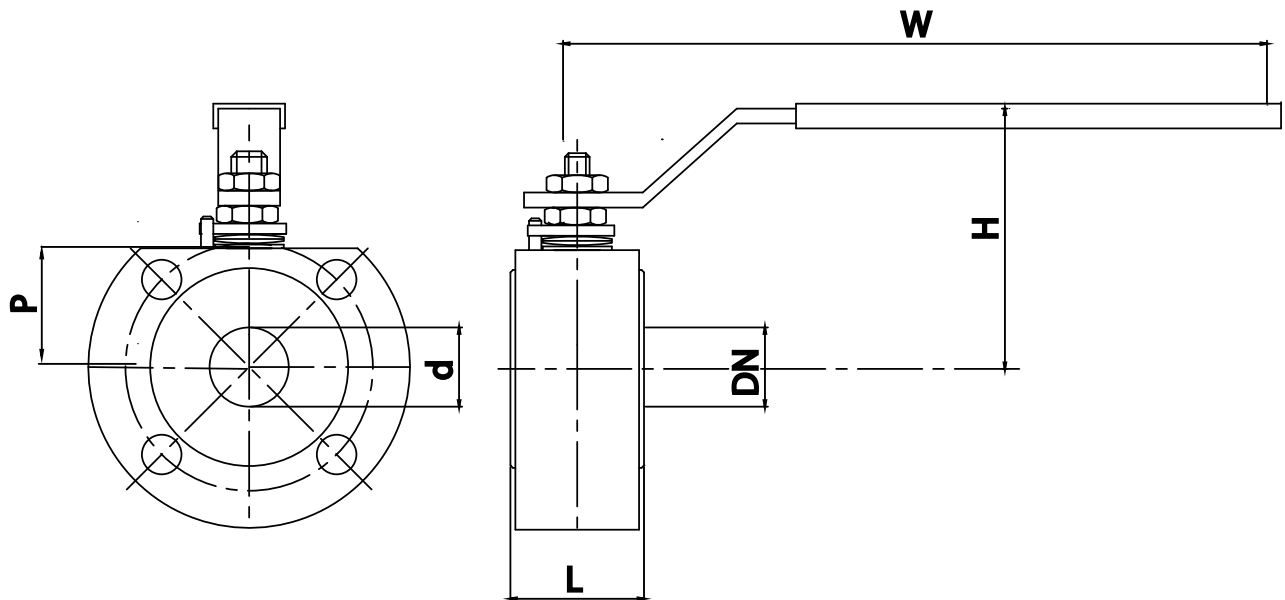
Certificates:

- 3.1 Material certificate
- CE declaration
- Fire safe API607 4e edition
- TA Luft declaration



Item	Description	Material S10F	Material C10F
1	Body	SS316	Carbon steel
2	Body end	SS316	Carbon steel
3	Body packing	PTFE	PTFE
4	Disc springs	SS316	Steel
5	Gland	SS	SS
6	Seat	PTFE	PTFE
7A+B	Seal	PTFE	PTFE
8	O-ring	Viton®	Viton®
9	Lever	Steel zinc plated	Steel zinc plated
10	Nut	Steel zinc plated	Steel zinc plated
11	Anti-static	SS316	SS304
12	Ball	SS316	SS304
13	Stop	Steel	Steel
14	Stem	SS316	SS304
15	Grip	PVC	PVC
16	Bolt	SS	Steel
17	Anti-static	SS316	SS316

S10F/C10F wafer type ball valve PN16-PN40

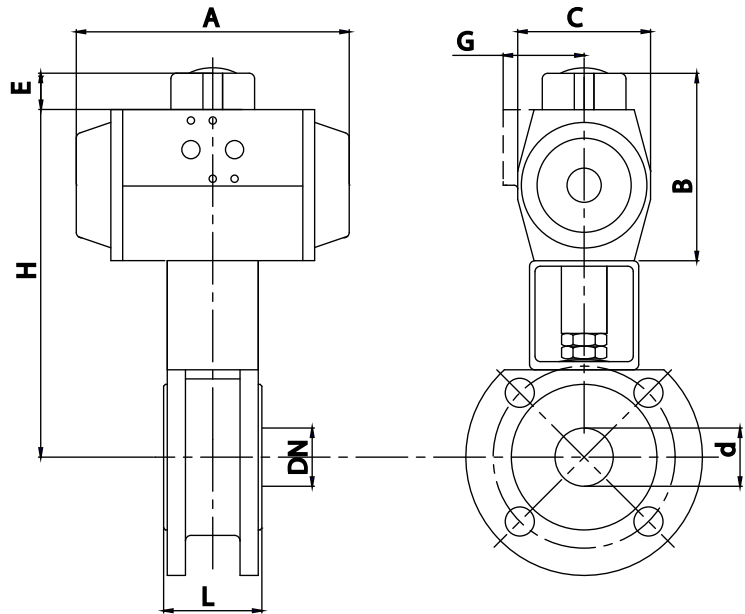


Dimensions DN 15 up to DN 200 [mm]												
DN	15	20	25	32	40	50	65	80	100	125	150	200
d	14	20	24	32	38	48	62	75	97	118	144	194
W	148	148	174	274	274	286	386	386	515	515	670	930
H	100	105	100	105	110	128	200	215	220	230	250	295
L	36	38	45 (*42)	54	60	85 (*70)	103 (*95)	120 (*118)	150 (*140)	200 (175)	230 (*210)	292
P	33	38	42	49.5	53	66	81	89	103.5	114	140.5	240
C10F [kg]	1.8	2	3	5	6.5	10	16	22.5	31.5	48	67	155
S10F [kg]	1.8	2	3	5	4.5	6.7	11.3	13	21.5	36	57	115

(*) length on special demand, no standard stock.

Distance and diameters X according to UNI - ANSI - DIN

S10F/C10F wafer type ball valve PN16-PN40



With double acting pneumatic actuator [mm]										
DN	DW	d	A	B	C	E	G	H	L	Weight [kg]
DN15 (1/2")	AP1D	14	137	87	60	20	41	150	36	2.8
DN20 (3/4")	AP1D	20	137	87	60	20	41	155	38	4
DN25 (1")	AP1D	24	137	87	60	20	41	159	45 (*42)	4.7
DN32 (1 1/4")	AP2D	32	150	103	73	20	44.5	193	54	5.8
DN40 (1 1/2")	AP3D	38	204	120	85	20	49.5	213	60	8.3
DN50 (2")	AP3D	48	204	120	85	20	49.5	226	85 (*70)	10.6
DN65 (2 1/2")	AP3.5D	62	230	130	98	20	53	251	103 (*95)	19
DN80 (3")	AP4D	75	271	145	110	30	58	264	120 (*118)	25.3
DN100 (4")	AP4D	97	271	145	110	30	58	299	150 (*140)	35.4
DN125 (5")	AP5D	118	360	185	140	30	-	349	200 (*175)	57.3
DN150 (6")	AP5D	144	360	185	140	30	-	376	230 (*210)	90
DN200 (8")	AP6D	194	462	230	175	30	-	531	292	180

With single acting pneumatic actuator [mm]										
DN	EW	d	A	B	C	E	G	H	L	Weight [kg]
DN15 (1/2")	AP2S	14	150	103	73	20	44.5	166	36	3.4
DN20 (3/4")	AP3S	20	204	120	85	20	49.5	198	38	5.1
DN25 (1")	AP3S	24	204	120	85	20	49.5	202	45 (*42)	5.8
DN32 (1 1/4")	AP3S	32	204	120	85	20	49.5	210	54	7.4
DN40 (1 1/2")	AP3.5S	38	230	130	98	20	53	223	60	10.3
DN50 (2")	AP3.5S	48	230	130	98	20	53	236	85 (*70)	12.7
DN65 (2 1/2")	AP4S	62	271	145	110	30	58	256	103 (*95)	21.1
DN80 (3")	AP5S	75	360	185	140	30	-	324	120 (*118)	32.8
DN100 (4")	AP5S	97	360	185	140	30	-	367	150 (*140)	43.1
DN125 (5")	AP5.5S	118	380	206	160	30	-	370	200 (*175)	65.2
DN150 (6")	AP6S	144	462	230	175	30	-	421	230 (*210)	102.8
DN200 (8")	AP8S	194	555	300	215	50	-	601	292	197

Pneumatic actuators are based on PTFE seat rings, minimum air pressure of 6 bar(g) and medium of clean water 20°C with at 6 bar pressure

(*) length on special demand, no standard stock.