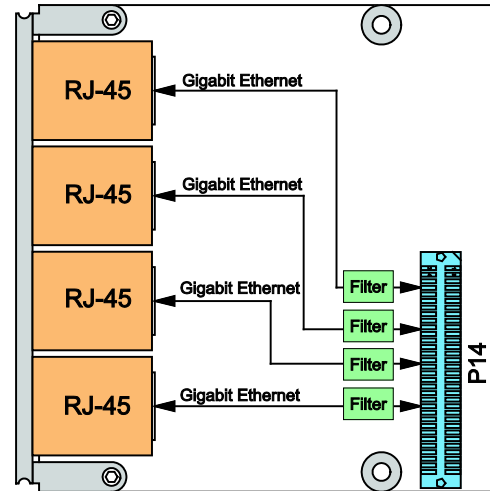
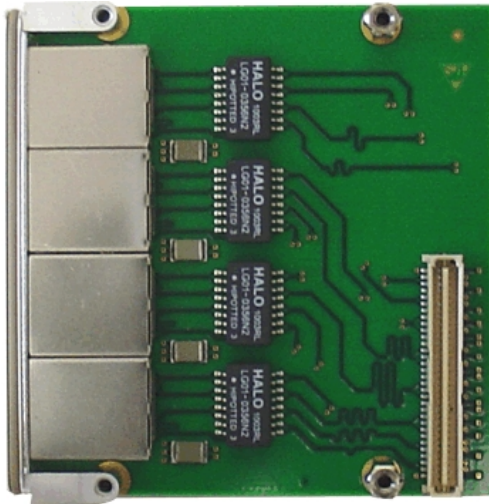


TPIM006 PIM I/O Module for Gigabit Ethernet PMCs



Application Information

The TPIM006 is a standard single-width PIM I/O module to be used with any PIM carrier like TEWS' TCP020, TVME020 or others. It offers easy access to the PMC back I/O lines of PMC carriers like TEWS' TCP260 or TVME8400.

The TPIM006 distributes the Ethernet signals of the TEWS' Gigabit Ethernet modules with back I/O to RJ-45 connectors located in the front panel of the PIM module.

The TPIM006 reproduces the front I/O signal mapping of TEWS four channel 10/100/1000 Mbit/s Ethernet adapter PMCs in its RJ-45 connectors when used with the TPMC885-11R or TPMC385-10R for example.

The operating temperature is -40°C to +85°C.

Technical Information

- Form Factor: Standard single-width PIM I/O module conforming to VITA 36 – 199X Draft 0.1
 - Board size: 69 mm x 74 mm
- I/O lines routed to RJ45 connectors in the front panel
- EMI Front Panel
- Operating temperature: -40°C to +85°C
- MTBF (MIL-HDBK217F/FN2 GB 20°C)
TPIM006-10R: 758081 h

Order Information

RoHS Compliant

TPIM006-10R PIM I/O Module for Quad 10/100/1000 Ethernet PMC

For the availability of non-RoHS compliant (lead solder) products please contact TEWS.

Documentation

TPIM006-DOC User Manual